

MAXIMAT® LWC-B

**Compact leakage sensor
on floor detection**



INSTRUCTION MANUAL

BAMO MESURES

22, Rue de la Voie des Bans - Z.I. de la Gare - 95100 ARGENTEUIL

Tél : (+33) 01 30 25 83 20 - Web : www.bamo.fr

Fax : (+33) 01 34 10 16 05 - E-mail : info@bamo.fr

Leakage detector
MAXIMAT® LWC-B

04-09-2008

555 M1 05 C

MES

555-05/1

CAUTION

- Trained personnel may only perform installation, initial start-up and maintenance.
All applicable European and national regulations regarding installation of electrical equipment must be adhered to.
- The device may only be connected to supply power complying with the specifications included in the technical data and on the serial plate.
- The device must be disconnected from all sources of power during installation and maintenance work!
- The device may only be operated under the conditions specified in the operating instructions!

DESCRIPTION

The MAXIMAT LWC-B leakage sensor (on floor detection) is used for leakage detection in catch basins and catch spaces. It is equipped with three different output circuits:

- A binary output for controlling a coupling relay or the digital input at a PLC
- A 0 to 20 mA current output for controlling an analog input channel, e.g. a programmed logic controller (PLC)
- Self-monitoring measuring circuit in combination with the MAXIMAT SHR C... measuring transducer with a 2 wires connection.

TECHNICAL FEATURES

Supply power: 24 V DC \pm 10%
(power supply with current limiting or 250 mA fuse recommended)

Connected load: Approx. 3 W

Ambient temperature: -20 to +60°C

Outputs:
+DO / -DO NPN max. 30 mA / max. 24 V DC
+AO / -AO 0 to 20 mA

Measuring circuit for use with SHR C...

Cable inductance: Maximum approx. 5 mH
Cable capacitance: Maximum approx. 0.5 μ F

Measuring circuit cable: Maximal length = 300 m
Wire cross-section: Minimum 0.5 mm²

DIBT Approval

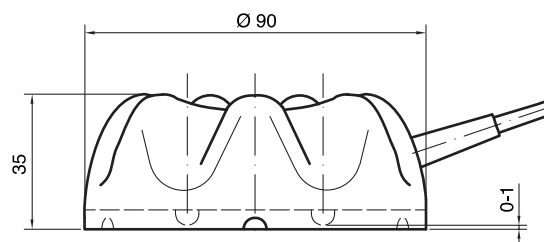
Approval N° Z-65.40-316 for overflow sensors and leakage sensors in accordance with WHG §19

Note:

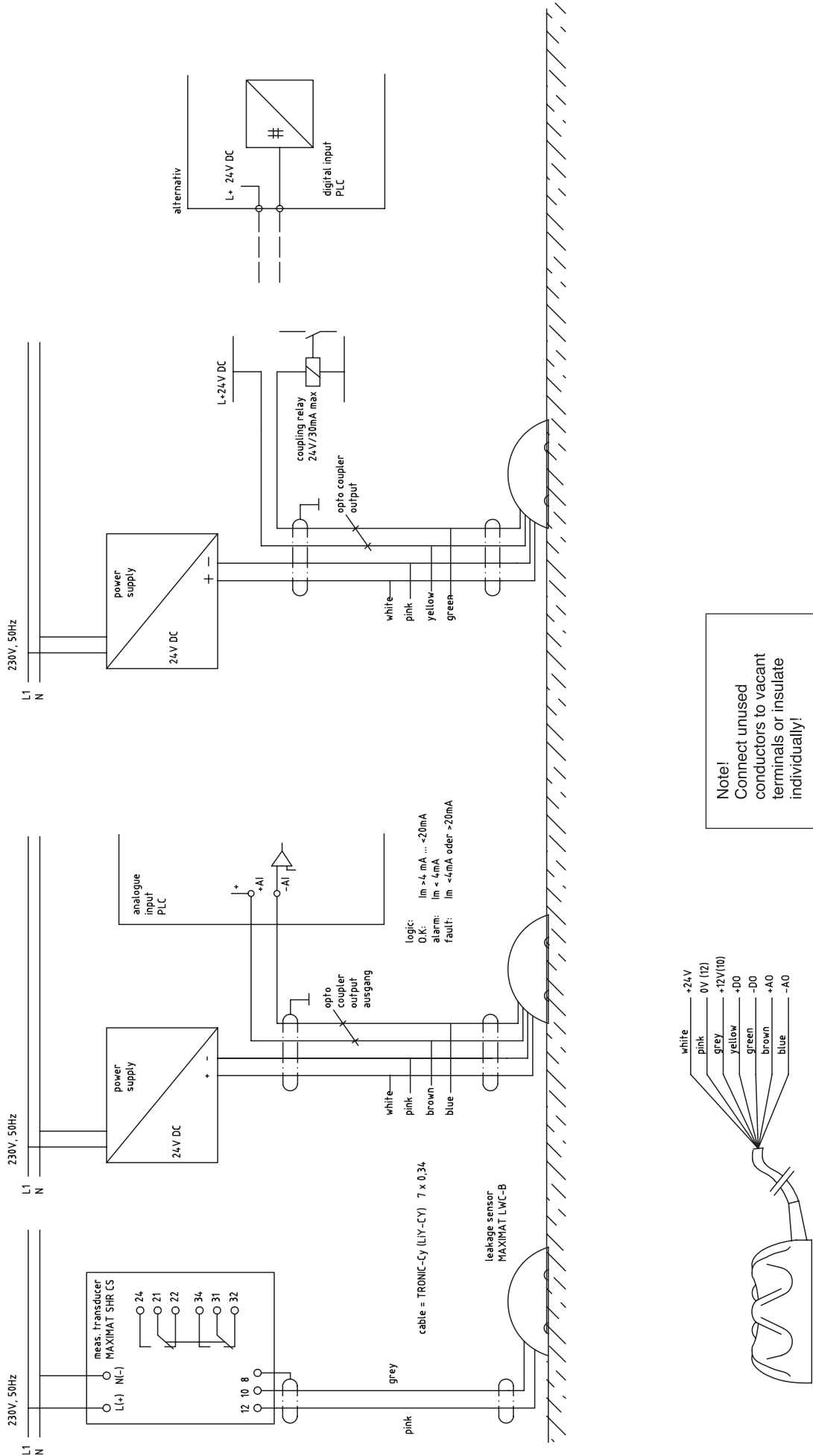
The accompanying "General Building Supervisory Approval N° Z-65.40-316" is an integral part of the operating instructions and all stipulations contained therein must be adhered to!

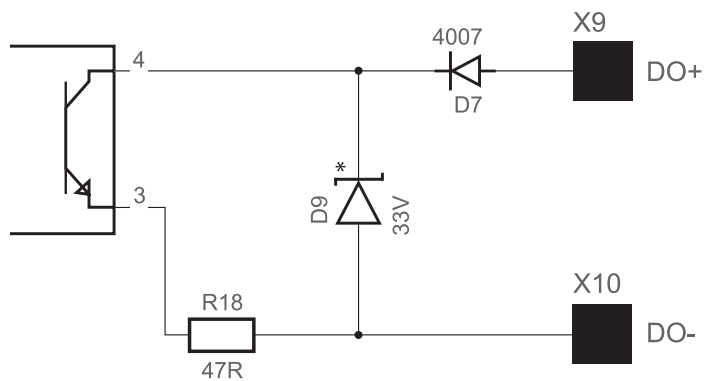
CE mark:

In accordance with low-voltage directive (73/23/EWG), EMC directive (89/336/EWG) and standards EN 50 082-2:1995 & EN 55 011 (class A):1998.



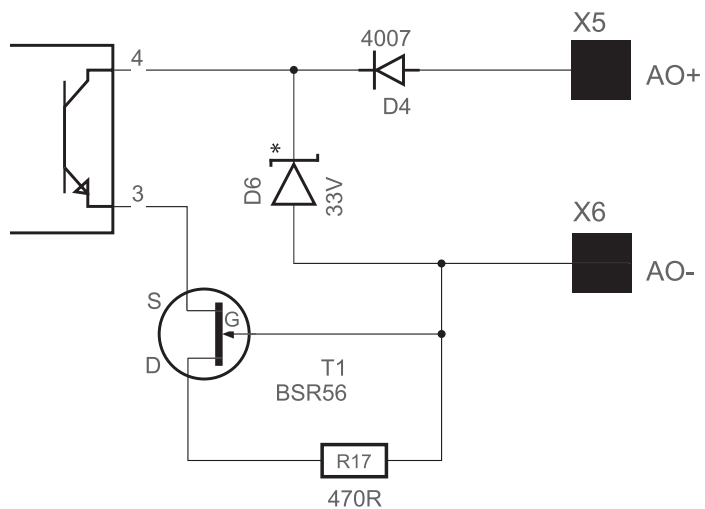
WIRING





Digital Ouput
 +DO / -DO
 NPN max 30 mA
 max 24 V DC

MAXIMAT



Analog Ouput
 +AO / -AO
 0 to 20 mA