

Hydrostatic level transmitter MEMPRO



- Ceramic pressure sensor: Al_2O_3
- No moving parts
- For aggressive and crystallizing liquids
- Accurate and reliable measurement
- Output signal 4-20 mA
- Wetted parts: PVC or PP, or stainless steel, or EPDM (flexible hose)
- Scales: from 0...1 m WC up to 0...10 m WC

PRINCIPLE

MEMPRO level transmitters are designed for level in tank with atmospheric pressure, unclosed tank or basin. When the liquid level increases, the fluid rises inside the measuring tube. The pressure of air trapped inside the tube increases as well. This pressure corresponds to the height of the liquid in the tank. The pressure sensor delivers a signal 4-20 mA equivalent to the level of fluid.

This type of level transmitter is not affected with contaminated liquids or crystallizing fluids, as long as the stem is not clogged. Integrated venting connection in the head housing allows out-gassing, flushing the tube for encrusting liquids refreshing; it resets the air column when media temperature changes during the process.

MEMPRO transmitters are suitable for aggressive liquids compatible with wetted parts made of PVC, or PP, or stainless steel, or EPDM for flexible hose version.

Measuring range: 4 scales are available, the output signal is set up by dipswitches on 6 different ranges (for each scale).

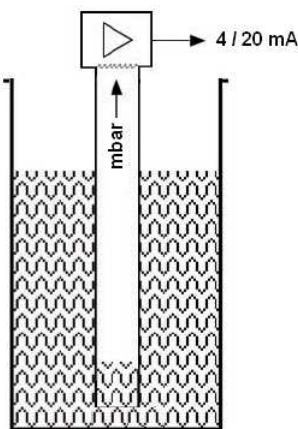
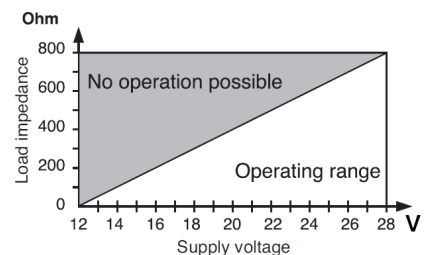
TECHNICAL FEATURES

Power supply:	12 ... 28 V DC
Measuring cell:	Ceramic, capacitive, temperature compensated
Sealing:	EPDM
Measuring scales:	4 scales with 6 amplitudes dip switch selection - (see next page)
Resolution:	< 2 mm
Accuracy/Linearity:	< +/- 0.5% full scale
Temperature limits	0...60 °C: PP and stainless steel 0...40 °C: PVC
Materials	Stem and process connection in PVC, PP or S.S. 316 EPDM for flexible hose Pressure sensor in ceramic
Head housing	in PBT, fibre glass reinforced, IP65 (according to EN 60 529)

INDICATORS AND CONTROLLERS

Our indicators and controllers with power supply to the sensor 12...28 V DC, 2 wire technique 4-20 mA, are convenient with MEMPRO level transmitters.

Caution: The maximal resistive load circuit should be respected:



BAMO MESURES

22, Rue de la Voie des Bans - 95 100 ARGENTEUIL - FRANCE

Phone +33 (0)1 30 25 83 20 - E-mail: info@bamo.fr

Fax: +33 (0)1 34 10 16 05 - <http://www.bamo.eu>

Hydrostatic level transmitter
MEMPRO

26-03-2015

592 I1 01 E

NIV

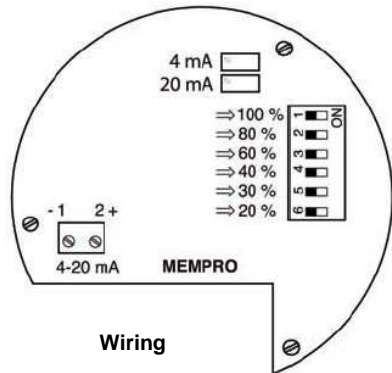
592-01

CODE NUMBERS AND REFERENCE

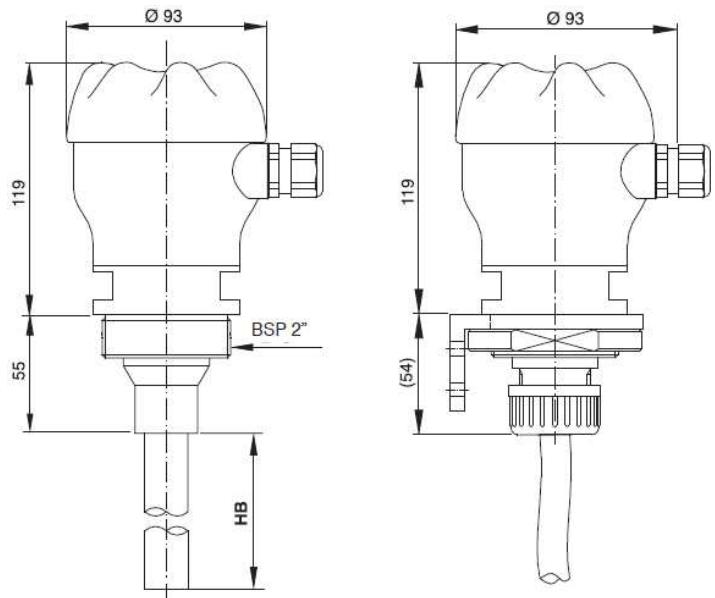
Material	PVC	PPH	AISI 316	Flexible Hose
Fitting	2" G	2" G	1" G	Fastening angle
For stem O.D.	20 mm	20 mm	15 mm	EPDM hose
Measuring range				
0 ... 1000 mm CE	592 110	592 210	592 510	597700 *
0 ... 2500 mm CE	592 130	592 230	592 520	
0 ... 4000 mm CE	592 140	592 240	592 540	
0...10000 mm CE	- **	- **	- **	

*: Measuring range to confirm with the total length of flexible hose

** : On request only



DIMENSIONS



MEMPRO
With rigid stem
PVC or PPH
(AISI 316: 1" G)

MEMPRO
with flexible hose

HB: length of rigid stem or the length of hose must be confirmed



ACCESSORY

Code	Reference	Description
592 790	Mempro BLG	Automatic venting module 230 V AC, with 5 m PVC tube diam. 4 x 1 mm
592 791	Mempro BLD	Automatic venting module, 24 V DC, with 5 m PVC tube diam. 4 x 1 mm

SCALES

For each measuring, the 20 mA can be adjusted in the following ranges:

Setting	Measuring cell 0 ... 1000 mm WC	Measuring cell 0 ... 2500 mm WC	Measuring cell 0 ... 4000 mm WC	Measuring cell 0 ... 10 000 mm WC
DIP 6 = ON	200 300 mm	400 700 mm	700 1200 mm	2000 3000 mm
DIP 5 = ON	200 450 mm	500 1100 mm	800 1800 mm	2000 4500 mm
DIP 4 = ON	250 550 mm	700 1400 mm	1200 2200 mm	2500 5500 mm
DIP 3 = ON	350 800 mm	800 2000 mm	1500 3200 mm	3500 8000 mm
DIP 2 = ON	550 1000 mm	1400 2500 mm	2000 4000 mm	5500 10000 mm
DIP 1 = ON	650 1000 mm	1600 2500 mm	2400 4000 mm	6500 10000 mm

BAMO MESURES

22, Rue de la Voie des Bans - 95 100 ARGENTEUIL - FRANCE

Phone +33 (0)1 30 25 83 20 - E-mail: info@bamo.fr

Fax: +33 (0)1 34 10 16 05 - <http://www.bamo.eu>

Hydrostatic level transmitter
MEMPRO

NIV

26-03-2015

592 I1 01 E

592-01