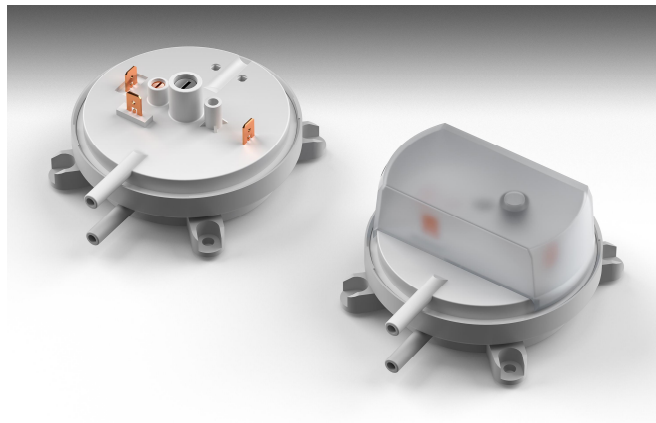


# Differential pressure switch 911.81x



## Applications

Factory-set differential pressure switch for monitoring overpressure, vacuum and differential pressure of air or other non-combustible, non-aggressive gases.

Possible fields of application include:

- Monitoring air filters and ventilators
- Overheating protection for fan heaters
- Monitoring flows in ventilation ducts
- Frost protection for heat exchangers

## Versions

Customer specific adjusted values for switching pressure and switching differential.

## Switching pressure

Factory setting between 20 ... 1000 Pa.

## Switching differential

Factory setting between 10% ... 20% of the switching pressure, min. 10 Pa.

## Accuracy of the switching pressure @ 20°C

±10 Pa of switching pressure, min. ±10 Pa.  
Higher accuracy on request.

## Maximum operating pressure

10 kPa for all pressure ranges.

## Medium

Air, non-combustible and non-aggressive gases.

## Temperature range

Operating temperature from -20°C to +85°C.  
Storage temperature from -40°C to +85°C.

## Diaphragm material

Silicone, tempered at 200°C, free of gas emissions.  
Other materials available on request.

## Pressure connections

2 plastic pipe connection pieces (P1 and P2), external diameter 6.0 mm:

P1 for connection to higher pressure (marked +)  
P2 for connection to lower pressure (marked . )

## Housing materials

Switch body and cover of plastic.

## Weight

With cover 94 gr, without cover 82 gr.

## Electrical rating

Standard version: max. 1.5 A (0.4 A) / 250 VAC  
Low-voltage version: max. 0.1 A / 24 VDC

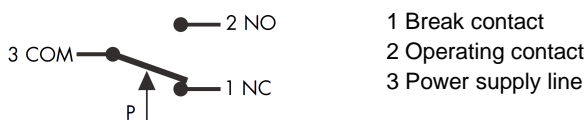
## Mechanical working life

Over 10<sup>6</sup> switching operations.

## Electrical connections

AMP flat plug 6.3 mm x 0.8 mm in accordance with DIN 46244 or push-on screw terminals. Cable conduit with cable strain relief.

## Arrangement of contacts



## Protection category

IP 20 with cover, IP 00 without cover.

## CE Conformity

Each depending on technical version:  
EU Low Voltage Directive; EU RoHS Directive,  
EU Gas Appliances Directive.

## Specifications according to EN1854

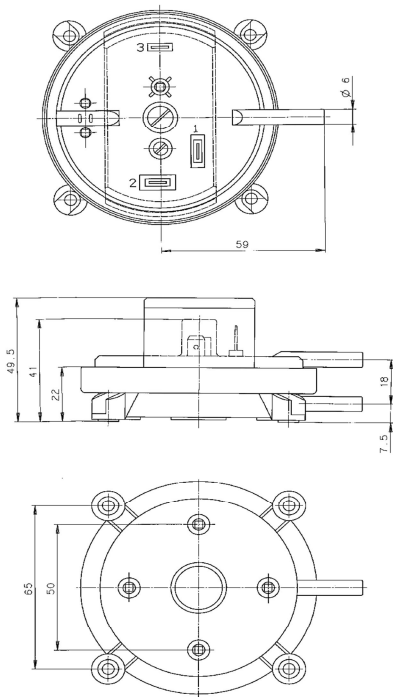
Class of control and regulation function: A

Deviation:  $m \pm 15$  %, min.  $\pm 10$  Pa

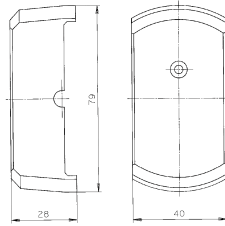
Drift:  $m \pm 15$  %

# Differential pressure switch 911.81x

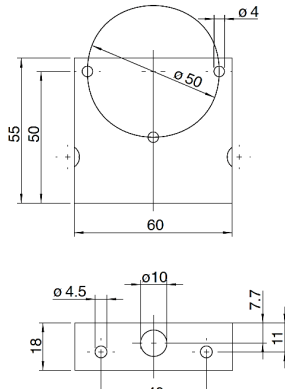
**911.81x**



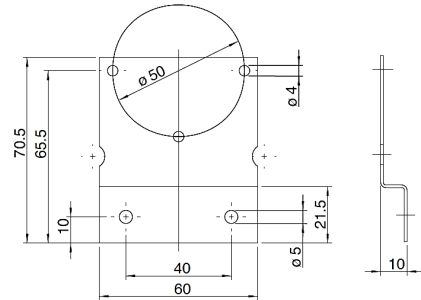
**Cover 6344**



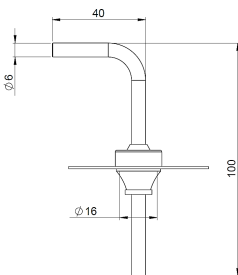
**Mounting bracket 6401**



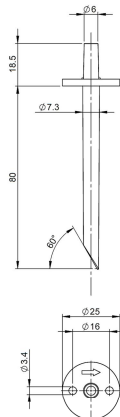
**Mounting bracket 6402**



**Climaset® 6550/6556**



**Climaset® 6555/6557**



## Accessories

L-shaped mounting bracket	Artikel-Nr 6401
S-shaped mounting bracket	Artikel-Nr 6402
Climaset® consisting of 2m PVC piping and two plastic nipples	Artikel-Nr 6555
Climaset® consisting of 2m silicone piping and two plastic nipples	Artikel-Nr 6557
Climaset® consisting of 2m PVC piping and two angled metal pipes	Artikel-Nr 6550
Climaset® consisting of 2m silicone piping and two angled metal pipes	Artikel-Nr 6556
Set consisting of three push-on screw terminals	Artikel-Nr 6415
IP 20 cover for 911.81	Artikel-Nr 6344
0.8 mm nozzle for damping pressure surges	Artikel-Nr 6338
0.5 mm nozzle for damping pressure surges	Artikel-Nr 6334



Beck GmbH  
Druckkontrolltechnik  
P.O. Box 11 31  
D-71140 Steinenbronn  
Phone +49 (71 57) 52 87-0  
Fax +49 (71 57) 52 87-83  
e-mail sales@beck-sensors.com  
http://www.beck-sensors.com