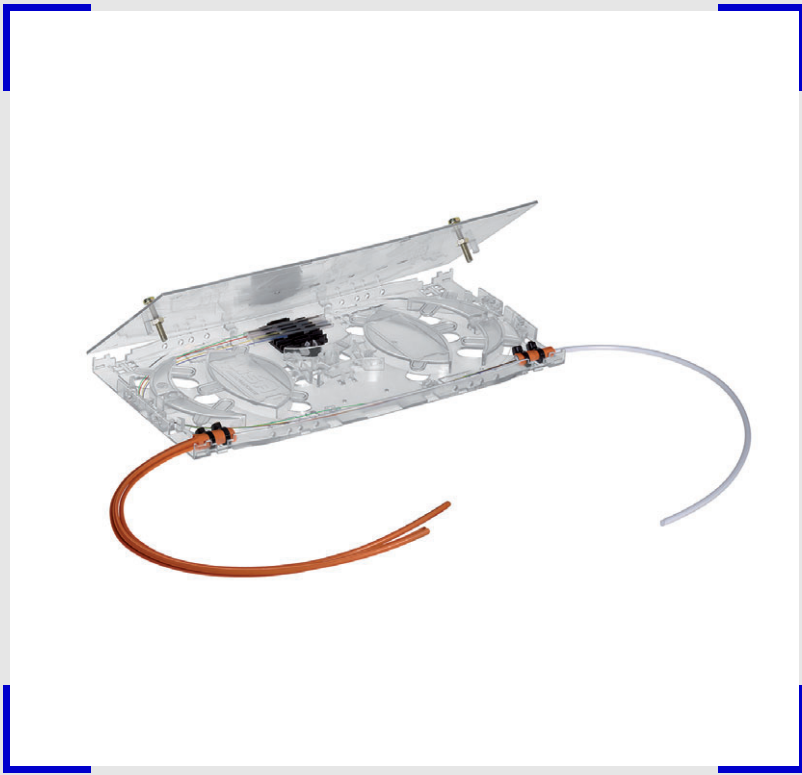


# Optical Fibre Splice Cassette

Series 8186



www.stahl.de



13741E00

- > Installed in a protective enclosure
- > Enclosure version according to customer specification
- > For professional and time-saving FO installation
- > With one or two splice protector holders for installation of 6 or 12 fibre optics
- > Integrated cross-over field provides limited bonding for the fibres
- > Cable delivery entries from all four sides possible
- > Easy fastening

E3



The new R. STAHL FO splice cassette, Series 8186 enables professional and time-saving connection of fibre optics. Overall, the splice cassette provides space for 2 splice protector holders. When using one splice protector holder a max. of 6 fibre optics can be installed or max. 12 fibre optics with two splice protector holders. The splice cassette is used, for example in connection chambers as a transfer point between the flameproof control panels and control room or as a connection point between the fibre optics. The splice cassette is available for use in areas with gas or dust explosion hazard installed in a suitable protective enclosure. Depending on the application different enclosure versions and sizes can be selected.

Zone	ATEX / IECEx					
	0	1	2	20	21	22
For use in		x	x			

**WebCode 8186A**

# Optical Fibre Splice Cassette

## Series 8186

### Application Example



Installed in the Ex e enclosure, Series 8150.  
Other enclosure versions on request

### Selection Table

Version	Description	Order number
FO splice cassette Series 8186	für 6 oder 12 LWL (Zubehör 203682)	<b>8146 / 5000</b>
	für 6 oder 12 LWL (Zubehör 203682)	<b>8150 / 5</b>
<b>Attention:</b> The optical fibre splice cassette is available only installed in Ex e enclosures. Enclosure versions on request.		

### Explosion Protection

#### Global (IECEx)

Gas	IECEx PTB 10.0060 U Ex op pr IIC Gb
-----	--

#### Europe (ATEX)

Gas	PTB 10 ATEX 2015 U Ex II 2 G Ex op pr IIC Gb
-----	---

#### Certifications and certificates

Certificates	IECEx, ATEX, Brazil (INMETRO), India (PESO), Kazakhstan (TR), Korea (KCs), Russia (TR), Serbia (SRPS), Taiwan (ITRI), Belarus (TR)
--------------	--

### Technical Data

#### Electrical data

Limiting values	
Rated power	up to 100 mW
Frequency	10 MHz, 100 MHz, 1 GHz, 10 GHz

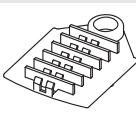
#### Ambient conditions

Ambient temperature	-40 ... +60 °C
---------------------	----------------

#### Mechanical data

Minimum bend radius	35 mm
Enclosure material	Polycarbonate, flame retardant, halogen-free, UL94 V-0
Max. number of FO	6 with 1 splice protector holder, 12 with 2 splice protector holders <b>accessories set (art. no. 203682), please order separately: 1 splice protector holder 6-way, 6 shrink splice protectors, 4 cable ties</b>

### Accessories and Spare Parts

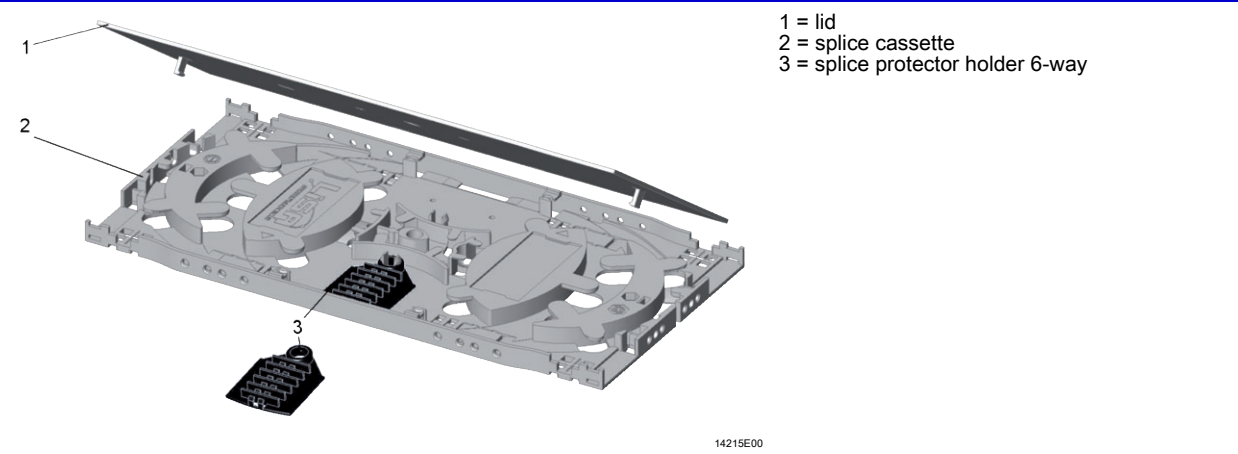
Designation	Figure	Description	Art. no.	Weight
Accessories set, splice protector holder 6-way		for max. 6 FO: 1 splice protector holder 6-way, 6 shrink splice protectors, 2 cable ties	<b>203682</b>	kg 0.006

# Optical Fibre Splice Cassette

## Series 8186

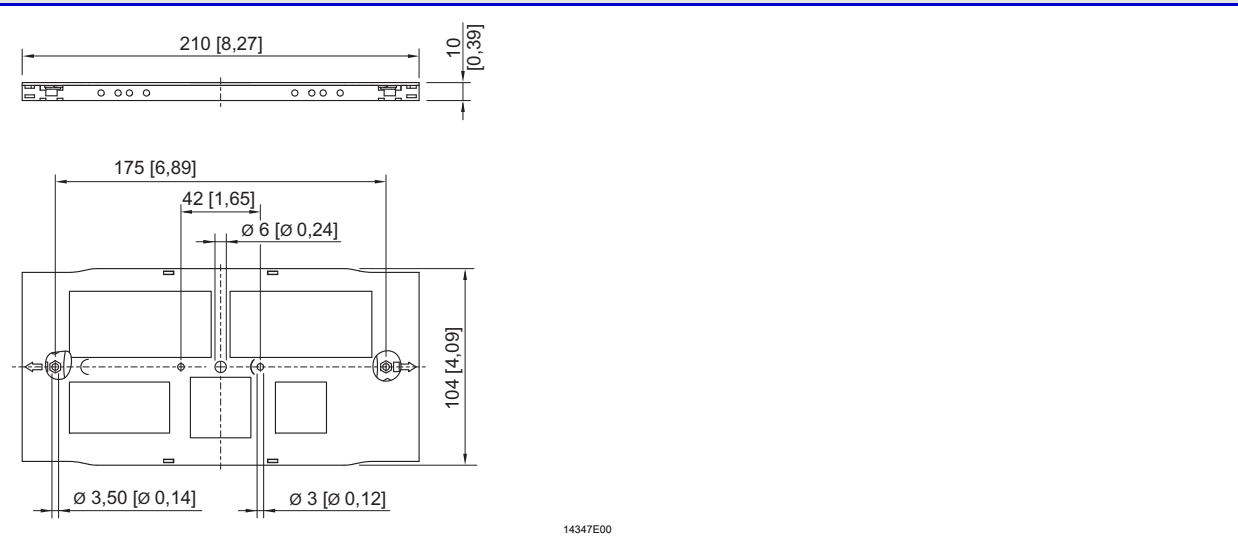


### Overview Optical Fibre Splice Cassette



E3

### Dimensional Drawings (All Dimensions in mm [inches]) - Subject to Alterations



We reserve the right to make alterations to the technical data, dimensions, weights, designs and products available without notice. The illustrations cannot be considered binding.