

Floodlight LED

Series 6525



www.stahl.de



17557E00

- > Floodlight Zones 2, 21 and 22 with highly efficient LEDs
- > 3 different light distribution types for adjusting to the illumination task
- > Standard enclosure made of sheet steel single powder coated or with V4A (SS316L) double coated stainless steel for marine environments
- > Broad operating temperature range from -50 ... +50 °C
- > Low-maintenance due to long service life of up to 100,000 operating hours

E2



| | ATEX / IECEx | | | | | |
|------------|--------------|---|---|----|----|----|
| Zone | 0 | 1 | 2 | 20 | 21 | 22 |
| For use in | | | x | | x | x |

Explosion Protection

Global (IECEx)

Gas and dust | IECEx EPS 15.0032
 Ex nR op is IIC T6 ... T5 Gc
 Ex tb IIIC T80°C ... T95°C Db

Europe (ATEX)

Gas and dust | EPS 15 ATEX 1 991
 Ⓢ II 3 G Ex nR op is IIC T6 ... T5 Gc
 Ⓢ II 2D Ex tb IIIC T80°C ... T95°C Db

| | at ambient temperature | Temperature class |
|-------------------------------|------------------------------------|-------------------|
| 6525/11..-...-...-... | -50 °C < T _{amb} < +50 °C | T5 / T95 °C |
| 6525/11..-21..-...-... | -50 °C < T _{amb} < +50 °C | T6 / T80 °C |
| 6525/11..-42..-...-... | -50 °C < T _{amb} < +45 °C | T6 / T80 °C |

Certifications and certificates

Certificates | IECEx, ATEX, India (PESO)

WebCode 6525A

Floodlight LED

Series 6525

| Selection Table | | | | | | | | |
|----------------------------|--------------------|--------------|---------------------|-------------------------|---------------------|-------------------------|----------|--------|
| Version | Light distribution | Lamp wattage | Cable glands | Mounting | Material | Order number | Art. no. | Weight |
| | | | | | | | | kg |
| Floodlight LED Series 6525 | narrow beam | 120 W | 3 x M25 | Bracket | Sheet steel | 6525/1111-2101-5011-111 | 246256 | 13.150 |
| | | | | | Stainless steel V4A | 6525/1111-2101-5011-242 | 246720 | 13.280 |
| | | 210 W | 3 x M25 | Bracket | Sheet steel | 6525/1111-2101-5021-111 | 246712 | 13.120 |
| | | | | | Stainless steel V4A | 6525/1111-2101-5021-242 | 246729 | 13.250 |
| | | | 3 x M20 | Bracket | Sheet steel | 6525/1111-4201-5011-111 | 246735 | 18.910 |
| | | | | | Stainless steel V4A | 6525/1111-4201-5011-242 | 246749 | 19.007 |
| | medium beam | 120 W | 3 x M25 | Bracket | Sheet steel | 6525/1112-2101-5011-111 | 246257 | 13.150 |
| | | | | | Stainless steel V4A | 6525/1112-2101-5011-242 | 246721 | 13.280 |
| | | 210 W | 3 x M25 | Bracket | Sheet steel | 6525/1112-2101-5021-111 | 246713 | 13.120 |
| | | | | | Stainless steel V4A | 6525/1112-2101-5021-242 | 246730 | 13.250 |
| | | | 3 x M20 | Bracket | Sheet steel | 6525/1112-4201-5011-111 | 246738 | 18.910 |
| | | | | | Stainless steel V4A | 6525/1112-4201-5011-242 | 246750 | 19.007 |
| | wide beam | 120 W | 3 x M25 | universal | Sheet steel | 6525/1114-2101-5011-011 | 246258 | 10.930 |
| | | | | | Stainless steel V4A | 6525/1114-2101-5011-042 | 246722 | 11.060 |
| | | 210 W | 3 x M25 | universal | Sheet steel | 6525/1114-2101-5021-011 | 246714 | 10.900 |
| | | | | | Stainless steel V4A | 6525/1114-2101-5021-042 | 246731 | 11.030 |
| | | | 3 x M20 | universal | Sheet steel | 6525/1114-4201-5011-011 | 246737 | 16.850 |
| | | | | | Stainless steel V4A | 6525/1114-4201-5011-042 | 246751 | 16.940 |
| | 3 x M20 | universal | Sheet steel | 6525/1114-4201-5021-011 | 246744 | 16.820 | | |
| | | | Stainless steel V4A | 6525/1114-4201-5021-042 | 246757 | 16.910 | | |

Order Number Supplement

| | | |
|---------------------|--|-------------------|
| Connection terminal | Clamping range up to 4 mm ² | 6525/11...-5..... |
| | Clamping range up to 6 mm ² | 6525/11...-6..... |

Technical Data

| Electrical data | | | |
|--|---|---------------------------------|---------------------------------|
| Electronic balast | | | |
| Rated voltage | 220 ... 240 V, 50/60 Hz | | |
| Rated current | 6525/11..-2: | 0.54 A | |
| | 6525/11..-4: | 0.94 A | |
| Inrush current | | 6525/11..-21 (120 W Version) | 6525/11..-42 (210 W Version) |
| | I_{peak} (measured at 50 % I_{peak}) | 58 A; $\Delta t = 360 \mu s$ | 116 A; $\Delta t = 360 \mu s$ |
| max. light fittings per circuit breaker | | | |
| | Type B 10 A | 4 | 2 |
| | Type B 16 A | 9 | 4 |
| | Type B 25 A | 20 | 10 |
| Power factor | > 0.95 | | |
| THD | ≤ 10 % | | |

Floodlight LED

Series 6525



Technical Data

Luminous characteristics

| | 6525/11..-2 | 6525/11..-4 |
|-----------------------------|-------------|-------------|
| Power consumption [W] | 120 | 210 |
| Colour rendering [CRI] | ≥ 70 | ≥ 70 |
| Colour temperature [K] | 5,700 | 5,700 |
| wide beam | | |
| Luminous flux [lm] | 12,860 | 21,026 |
| Luminaire efficiency [lm/W] | 107 | 100 |
| medium beam | | |
| Luminous flux [lm] | 11,155 | 18,361 |
| Luminaire efficiency [lm/W] | 94 | 88 |
| narrow beam | | |
| Luminous flux [lm] | 12,081 | 19,979 |
| Luminaire efficiency [lm/W] | 101 | 96 |

Values apply to $T_a = +25\text{ °C}$.
 Luminous flux decrease at $T_a = +50\text{ °C}$
 • ≥ 90 % of the nominal value. (120 W Version)
 • ≥ 60 % of the nominal value. (210 W Version)

Ambient conditions

| | | | |
|-----------------------------|---|-------------|-------------|
| Operating temperature range | -50 ... +50 °C* | | |
| Storage temperature | -30 ... +75 °C | | |
| Service life | Ta ≤ 40 °C | Ta at 45 °C | Ta at 50 °C |
| L70B10C10 | 100,000 h | 80,000 h | 60,000 h |
| LxByCz | At the end of the service life: | | |
| | - Luminous flux decreases by "x" percent. | | |
| | - up to "y" percent of all luminaires fall below "x" | | |
| | - up to "z" percent of all luminaires break down completely | | |

* Note: Possible to operate the luminaire at -50°C, provided the luminaire is switched on at -30°C.

Mechanical data

| | |
|---------------------------|---|
| Degree of protection | IP66 |
| Protection class | I (with internal PE connection) |
| Impact strength (IK code) | IK10 (IEC 62262) |
| Material | |
| Enclosure | 6525/....-....-....-11 Sheet steel, powder-coated 6525/....-....-....-42 Stainless steel SS316L (1.4404 or V4A), with double powder coating (offshore coating) |
| Colour | Colour white, similar to RAL 9010 |
| Seal | Foamed silicone in luminaire cover |
| Lamp cover | Toughened glass |
| Bracket | Sheet steel, single powder-coated or Stainless steel SS316L (1.4404 or V4A) without powder coating |
| Luminaire locking | Screw |

Mounting / Installation

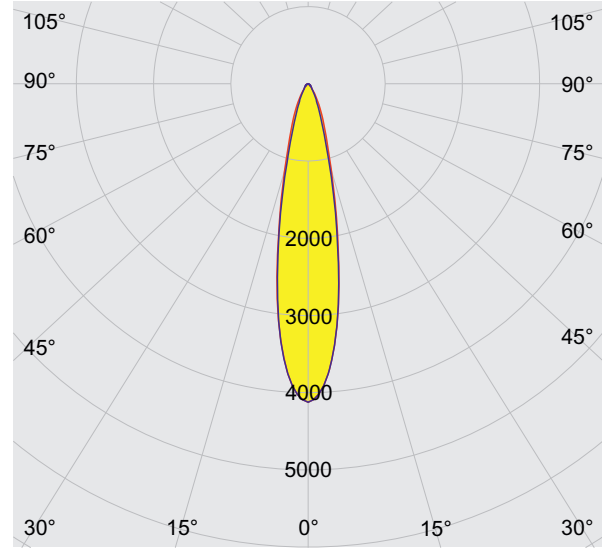
| | |
|------------------|--|
| Cable entry | 1x cable glands Series 8161 1x cable glands Series 8161 with red stopping plug 1x stopping plugs Series 8290 |
| Connection | Standard: Spring clamp terminals 0.5 ... 4 mm ² solid / stranded Stripping length: 10 ... 11 mm Optional: Spring clamp terminals 0.5 ... 6 mm ² solid / stranded Stripping length: 13 ... 15 mm |
| Loop in/loop out | max. 12 A |

E2

Floodlight LED

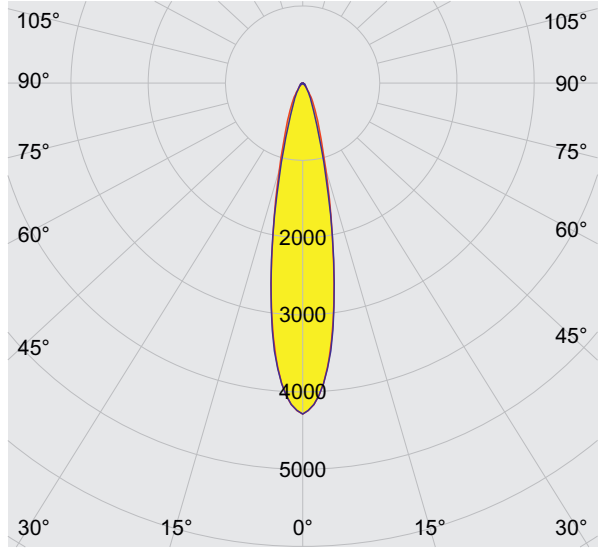
Series 6525

Light Distribution Curves



cd/klm $\eta = 100\%$
 — C0 - C180 — C90 - C270

17978E00

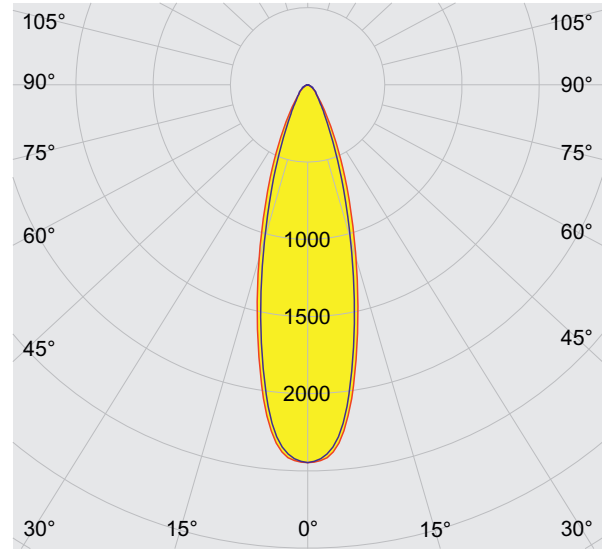


cd/klm $\eta = 100\%$
 — C0 - C180 — C90 - C270

17979E00

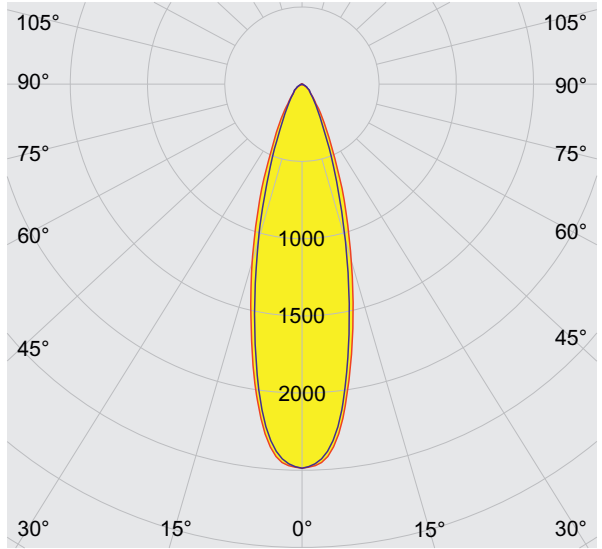
120 W narrow beam

210 W narrow beam



cd/klm $\eta = 100\%$
 — C0 - C180 — C90 - C270

17980E00



cd/klm $\eta = 100\%$
 — C0 - C180 — C90 - C270

17981E00

120 W medium beam

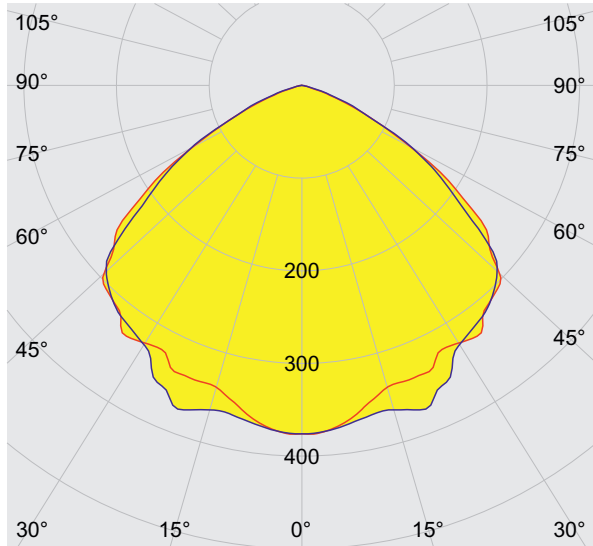
210 W medium beam

Floodlight LED

Series 6525



Light Distribution Curves



cd/klm

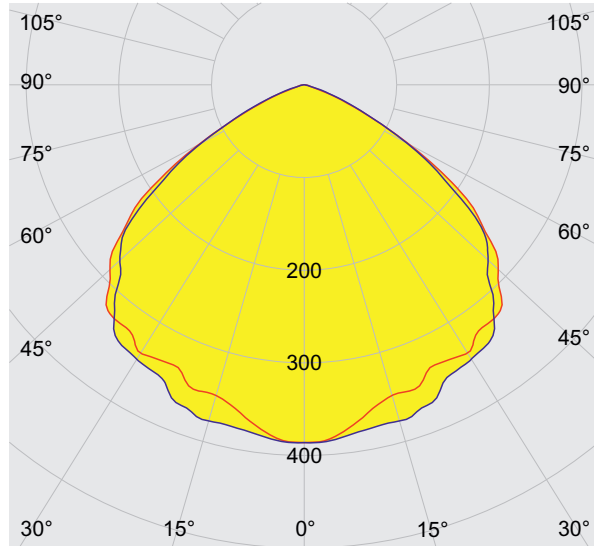
— C0 - C180

— C90 - C270

$\eta = 100\%$

17982E00

120 W wide beam



cd/klm

— C0 - C180

— C90 - C270




$\eta = 100\%$

17983E00

210 wide beam

E2

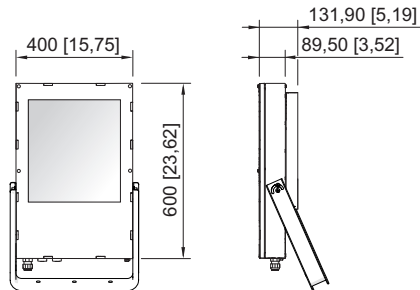
Accessories and Spare Parts

| Designation | Figure | Description | Art. no. | Weight kg |
|---|---|---|---------------|--------------|
| Handheld testing instrument for gastight enclosures |  11008E00 | For testing of restricted breathing of gastight enclosures of type Ex nR | 230434 | 1.334 |
| Ring bolt |  05378E00 | M6, direct mounting in insert nuts, 1 pair | 254234 | |
| Mounting bracket |  18198E00 | Bracket for mounting of floodlight. For universal mounting type, bracket must be ordered separately. For bracket mounting already included in delivery. | | |
| | | Sheet steel, single powder-coated | 244604 | 2.531 |
| | | Stainless steel SS316L (1.4404 or V4A) without powder coating | 221589 | 2.541 |

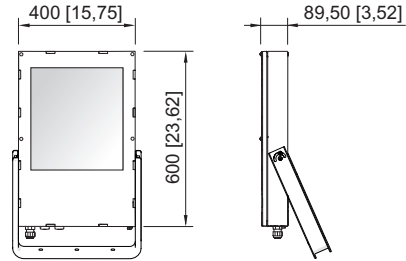
Floodlight LED

Series 6525

Dimensional Drawings (All Dimensions in mm [inches]) - Subject to Alterations



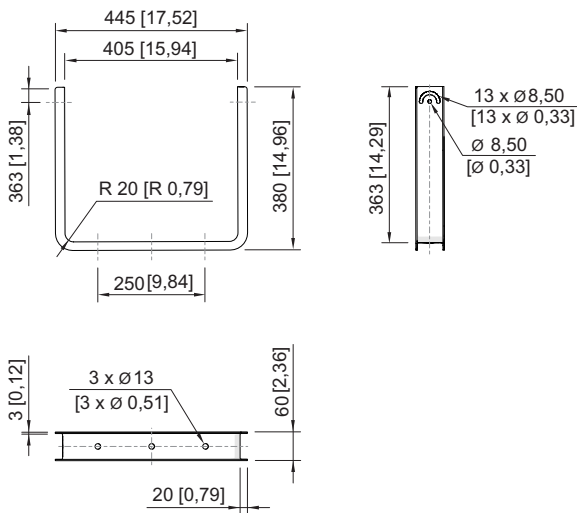
17559E00



17560E00

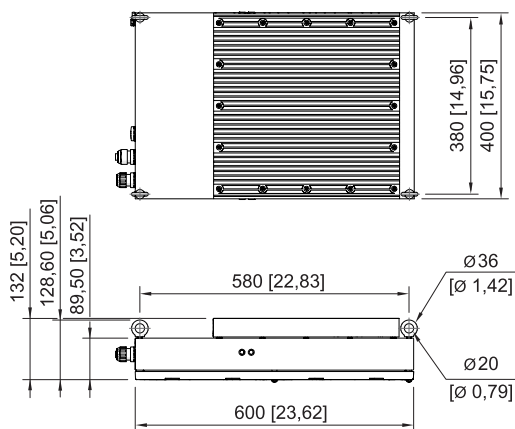
Floodlight Series 6525
with cooling element
(Version 210 W)

Floodlight Series 6525
without cooling element
(Version 120 W)

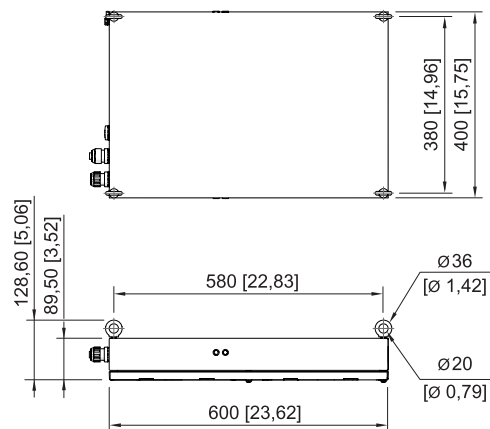


17561E00

Mounting bracket



18258E00



18257EE00

Floodlight Series 6525 with ring bolts
with cooling element
(Version 210 W)

Floodlight Series 6525 with ring bolts
without cooling element
(Version 120 W)

We reserve the right to make alterations to the technical data, dimensions, weights, designs and products available without notice. The illustrations cannot be considered binding.