

6125/1111-2331-5011-111 Art. No. 264585



- Floodlight Zones 1, 2 and 21, 22 with highly efficient LEDs
- Low-maintenance due to long service life of up to 100,000 operating hours

WebCode 6125A



The LED 6525 floodlight is ideal for lighting up areas from greater mounting heights. Three different light distribution types enable adjustment to fulfil the lighting task. The long service life of the highly efficient LEDs reduces energy and maintenance costs. This means that the floodlight can also be mounted in locations that are difficult to access. For normal application areas, the floodlight is designed with a single powder coating and a bracket made from single-coated sheet steel. There is also a variant with a double powder coating and double-coated bracket made of stainless steel 316L specifically for offshore areas.

Technical Data

Explosion Protection

Application range (Zone)	1 21
Certificate IECEX Gas	IECEX EPS 15.0087
Certificate ATEX Gas	EPS 15 ATEX 1 114
Certificate IECEX Dust	IECEX EPS 15.0087
Certificate ATEX Dust	EPS 15 ATEX 1 114
Gas explosion protection IECEX	Ex db eb op is IIC T4 Gb
Gas explosion protection ATEX	⊕ II 2 G Ex db eb op is IIC T4 Gb
Dust explosion protection IECEX	Ex tb op is IIIC T80 °C Db
Dust explosion protection ATEX	⊕ II 2 D Ex tb op is IIIC T80 °C Db
Gas explosion protection IECEX 2	Ex db eb op is IIC T4 Gb
Gas explosion protection ATEX 2	⊕ II 2 G Ex db eb op is IIC T4 Gb
Dust explosion protection IECEX 2	Ex tb op is IIIC T95 °C
Dust Explosion Protection ATEX 2	⊕ II Ex tb op is IIIC T95 °C
Certificates	ATEX (BVIS), EAC (Sertium), IECEX (BVIS)

Electrical Data

Rated operational voltage AC	220 – 240 V
Rated operational voltage AC	220 – 240 V
Max. rated operational voltage	240 V
Min. Rated operational voltage	220 V
Rated operational current	0.54 A
Frequency range	50 – 60 Hz
Lamp wattage	120 W

6125/1111-2331-5011-111 Art. No. 264585

Lighting Data

Lamp wattage	120 W
Lamp type	LED
Lamps	LED
CCT	cold white
Light distribution	narrow beam
Luminaire efficiency	101 lm/W
Luminous flux	12081 lm
Colour Rendering	≥ 70
Colour temperature	5700 K

Ambient Conditions

Min. ambient temperature	-60 °C
Max. ambient temperature	+60 °C
Min. ambient temperature 2	-60 °C
Max. ambient temperature 2	+60 °C
Ambient temperature	-60 °C ... +60 °C -60 °C ... +60 °C
Operating temperature min.	-60 °C
Operating temperature max.	+60 °C
Min. storage temperature	-40 °C
Storage temperature	-40 °C ... +75 °C
Max. storage temperature	+75 °C

Mechanical Data

Type of protection (IP)	IP66
Type of protection IP (IEC 60529)	IP66
Protection class	I
Enclosure material	Sheet steel, powder-coated single powder-coated
Gasket material	Silicone
Weight	23 kg
Lens material	toughened glass
Connection terminals solid max.	4 mm ²
Connection terminals finely-stranded max.	4 mm ²
Type of connection line	stranded solid
Width	400 mm
Height	180.5 mm
Length	600 mm
Impact strength (IK code)	IK10 (IEC 62262)
Enclosure colour	similar RAL 9010
Mounting	with bracket, Sheet steel

Mounting / Installation

Mounting type	bracket sheet steel
---------------	---------------------

Components

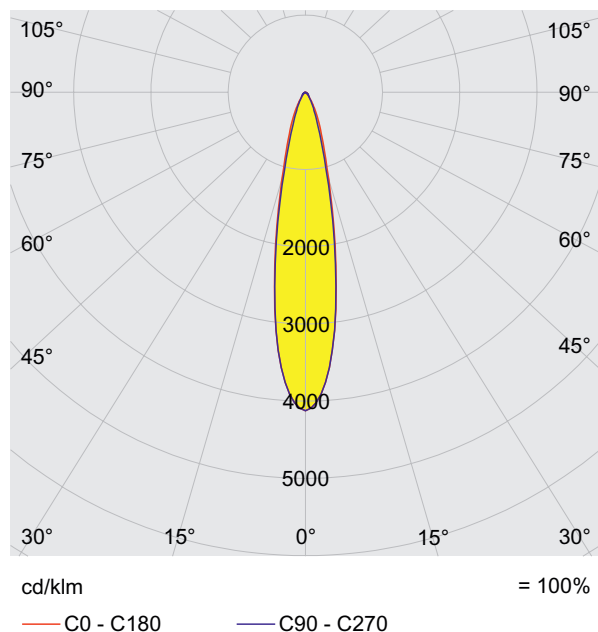
Drilled hole	2 x M25
--------------	---------

6125/1111-2331-5011-111 Art. No. 264585

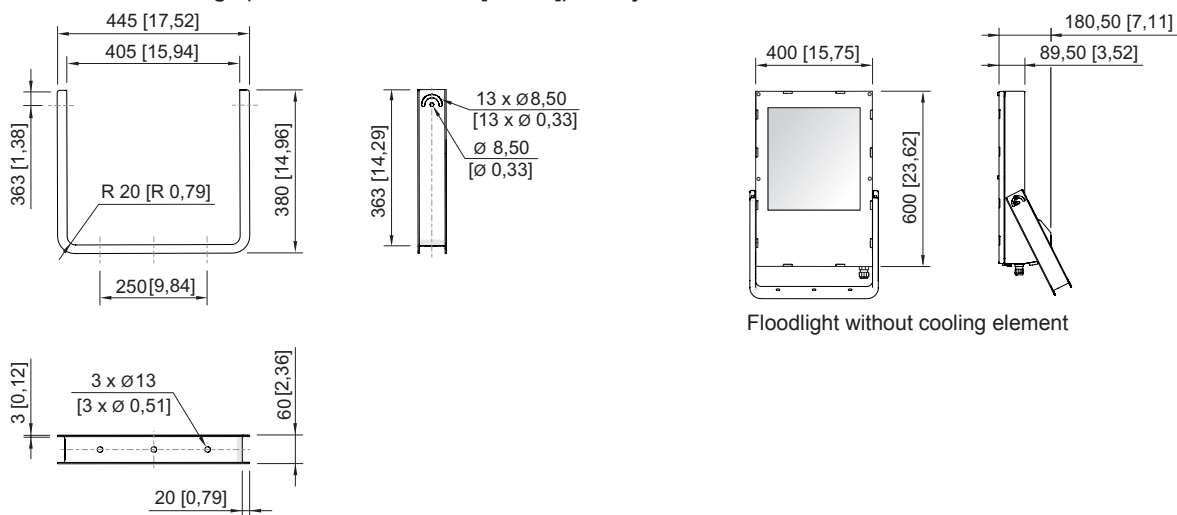
Components

Cable entry	2 x M25 Ø 7 – 17 mm
Cable entry accessories	1 x with stopping plug
Material stopping plug	polyamide black

Light Distribution Curves



Dimensional Drawings (All Dimensions in mm [inches]) – Subject to Alterations



Mounting bracket

Accessories and Spare Parts

Ring bolt



M6 (4 pieces), direct mounting in insert nuts

Art. No.

254234

6125/1111-2331-5011-111 Art. No. 264585

We reserve the right to make alterations to the technical data, dimensions, weights, designs and products available without notice. The illustrations cannot be considered binding.