

**Temperature controllers, one-step,  
with switching output**

Mechanical temperature controllers / wet room temperature controllers **THERMASREG® TR 040 / TR 060** with switching output (one-step) and stainless steel capillary (spiral coil sensor), working without external voltage. They are used for monitoring and controlling temperatures in heat generation plants, in heating, ventilation and air conditioning systems, for ventilation, cooling and climate control in halls, cold storage rooms, greenhouses, nurseries, stables, breeding rooms, as industrial room thermostat or surface-mounted thermostat in industrial applications as well as in wet room and outdoor areas.

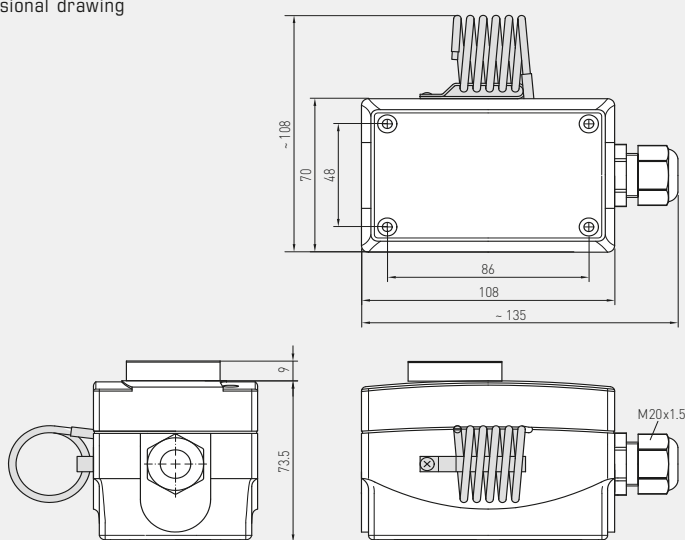
**TECHNICAL DATA**

Switching capacity: (Contact load)	24...250V AC +10%, 16 A, cos φ = 1.0 24...250V AC +10%, 1.5 A, cos φ = 0.6 at 24V AC min. 150 mA
Contact:	dust-proof switch block unit as potential-free, single-pole or two-pole changeover contact
Enclosure:	plastic, material polyamide, 30% glass-globe-reinforced, colour traffic white (similar to RAL 9016)
Enclosure dimensions:	108 x 70 x 73.5 mm (Thor 2)
Cable gland:	M20 x 1.5; including strain relief
Enclosure temperature:	-35...+65 °C
Capillary:	stainless steel, 1.4303, V2A
Tolerance:	T <sub>min</sub> ± 3K; T <sub>max</sub> ± 3K; at +20°C ± 1K
Electrical connection:	0.14-2.5 mm <sup>2</sup> via terminal screws
Protection class:	I (according to EN 60 730)
Protection type:	IP 65 (according to EN 60 529)
Standards:	CE conformity, EMC directive 2014 / 30 / EU, low-voltage directive 2014 / 35 / EU

**FUNCTION**

- Heating:** The preset setpoint (scale value) is equivalent to the switch-off value of the heating. The switch-on value is lower by the amount of operating difference. Contact 2-3 breaks when temperature rises to the preset value.
- Cooling:** The preset setpoint (scale value) is equivalent to the switch-on value of the cooling. The switch-off value is lower by the amount of operating difference. Contact 1-2 closes when temperature rises to the preset value.

**Dimensional drawing**



**TR 040  
TR 060**

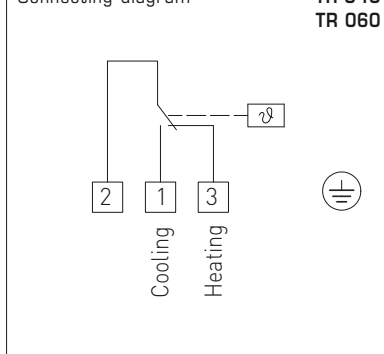
**TR 040  
TR 060**  
(one-step)  
**TR**



**TR 040 U  
TR 060 U**  
(one-step)  
**TW**



**Connecting diagram**



**TR 040  
TR 060**

**THERMASREG® TR 040 / TR 060 – Temperature controllers, one-step**

Type / WG01	Temperature Range	Thermal Operating Difference (fixed) approx.	Max. Capillary Temperature	Item No.	Price
<b>TR 040 / 060</b>				<b>TR</b> (External setting)	
TR-040	0...+40 °C	2 K	+65 °C	1102-1050-1100-200	<b>66,42 €</b>
TR-060	0...+60 °C	2 K	+75 °C	1102-1050-1100-300	<b>66,42 €</b>
<b>TR 040 U / 060 U</b>				<b>TW</b> (Internal setting)	
TR-040 U	0...+40 °C	2 K	+65 °C	1102-1050-2100-200	<b>65,35 €</b>
TR-060 U	0...+60 °C	2 K	+75 °C	1102-1050-2100-300	<b>65,35 €</b>

