

**Room temperature controllers,
in-wall, general**

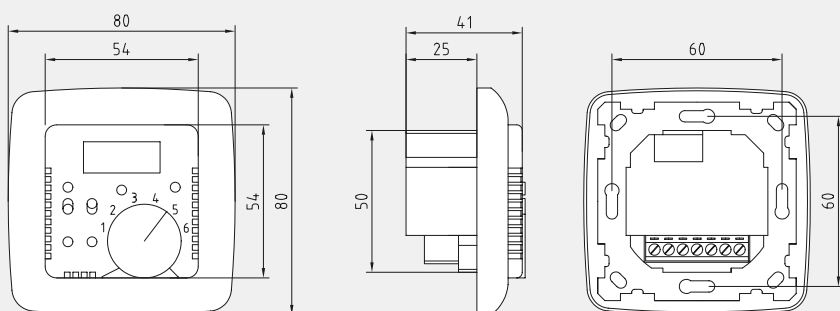
Electronic single-room controllers / "clock thermostats with week program **THERMASREG® RTR-E-UP** with internal sensor or 4-meter remote sensor for in-wall installation suitable for temperature monitoring and control, for activating any kind of heating system and valves (closed when currentless), as room temperature controller, room thermostat, floor temperature controller, or clock controller, e.g. for electric floor direct heating systems, for bathrooms, for night storage, wall, ceiling and gas heating systems.

TECHNICAL DATA

Power supply:	230V AC, 50 Hz
Temperature sensor:	NTC according to DIN 44574, sensor extension up to max. 50m, with double insulation according to EN 60730-2-1
Control range:	see table +15...+30 °C for room temperature controllers +10...+60 °C for floor temperature controllers +15...+30 °C and +20...+60 °C for combined controllers
Output:	1x normally open contact (single ended)
Switching capacity:	3.6 kW
Switching current: (Contact load)	16 A (ohmic load)
Safety:	with sensor breakage and sensor short circuit protection (in case of sensor breakage or sensor short circuit heating is switched of)
Operating difference:	approx. 0.6 K
Enclosure:	plastic, colour pure white (similar RAL 9010)
Dimensions:	80 x 80 x 16 mm
Electrical connection:	0.14 - 2.5 mm ² via terminal screws on circuit board
Temperature range limitation:	in the turning knob
Installation:	in in-wall flush box Ø = 55 mm
Protection class:	II (according to EN 60 730)
Protection type:	IP 30 (according to EN 60 529)
Standards:	CE conformity, electromagnetic compatibility according to EN 61 326, EMC directive 2014 / 30 / EU, low-voltage directive 2014 / 35 / EU

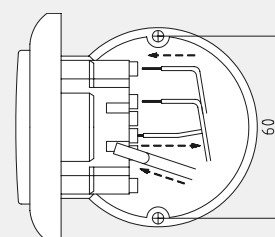
Dimensional drawing

RTR-E-UP



Installation scheme

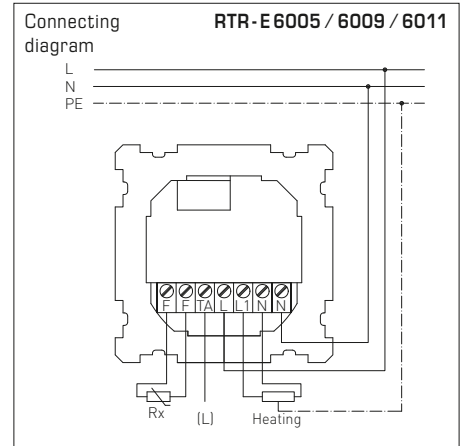
RTR-E-UP





RTR-E 6005
RTR-E 6009
RTR-E 6011

Room temperature controller
for single room control
with LED operating mode indicator



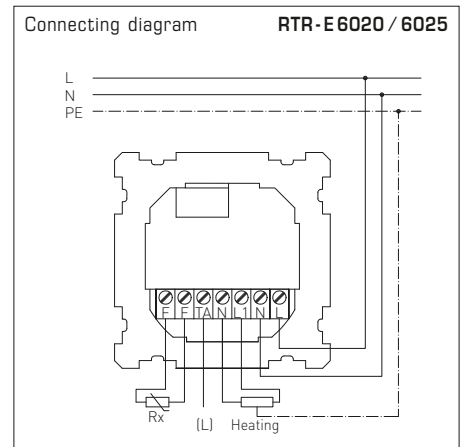
THERMASREG® RTR - E 6005 / 6009 / 6011 – Room temperature controllers

Type / WG01	Temperature Range	Sensor	Function Heating	Item No.	Price
RTR-E 6005 / 6009 / 6011				IP30	
RTR-E 6005	+5...+30 °C	Room sensor, Sensor Internal	Room temperature controller	1102-5010-0050-000	107,92 €
RTR-E 6009	+10...+60 °C	with remote sensor (L = 4 m)	Floor temperature controller	1102-5010-0090-000	108,99 €
RTR-E 6011	+5...+30 °C / +20...+60 °C	Room sensor, Sensor Internal, with remote sensor (L = 4 m)	Room temperature controller and floor temperature monitor (combined controller)	1102-5010-0110-000	128,32 €
Features:	with night temperature setback, main switch, and LED operating mode indicator				



RTR-E 6020
RTR-E 6025

Room temperature controller
for single room control
with LED operating mode indicator,
LC display, and clock



THERMASREG® RTR - E 6020 / 6025 – Room temperature controllers

Type / WG01	Temperature Range	Sensor	Function Heating	Item No.	Price
RTR-E 6005 / 6009 / 6011				IP30	
RTR-E 6020	+5...+30 °C	Room sensor, Sensor Internal	Room temperature controller with clock	1102-5010-0200-000	154,09 €
RTR-E 6025	+10...+60 °C	with remote sensor (L = 4 m)	Floor temperature controller with clock	1102-5010-0250-000	164,39 €
Features:	with week programme, main switch, party switch, LC display, and LED operating mode indicator				