

**Temperature controllers, two-step,  
with switching output**

Mechanical temperature controller / wet room temperature controller **THERMASREG® TR 04040** with two independently switching outputs, which are separately adjustable (e.g. for switching between day and night time) and stainless steel capillary (spiral coil sensor), working without external voltage. It is used for monitoring and controlling temperatures in heat generation plants, in heating, ventilation and air conditioning systems, for ventilation, cooling and climate control in halls, cold storage rooms, greenhouses, nurseries, stables, breeding rooms, as industrial room thermostat or surface-mounted thermostat in industrial applications as well as in wet room and outdoor areas.

TR 04040



TR 04040 U



**TECHNICAL DATA**

Switching capacity: (Contact load)	24...250V AC +10%, 16A, cos φ = 1.0 24...250V AC +10%, 1.5A, cos φ = 0.6 at 24V AC min. 150mA
Contact:	dust-proof switch block unit as potential-free single-pole changeover contact (two changeover contacts, separately adjustable)
Enclosure:	plastic, material polyamide, 30% glass-globe-reinforced, colour traffic white (similar to RAL 9016)
Enclosure dimensions:	108 x 70 x 73.5 mm (Thor 2)
Cable gland:	2x M20x1.5; including strain relief
Enclosure temperature:	-10...+65 °C
Capillary:	stainless steel, 1.4303, V2A
Tolerance:	T <sub>min</sub> ± 3K; T <sub>max</sub> ± 3K; at +20 °C ± 1K
Electrical connection:	0.14 - 2.5 mm <sup>2</sup> via terminal screws
Protection class:	I (according to EN 60 730)
Protection type:	IP 65 (according to EN 60 529)
Standards:	CE conformity, EMC directive 2014 / 30 / EU, low-voltage directive 2014 / 35 / EU

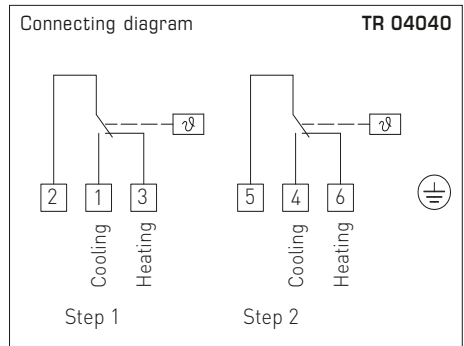
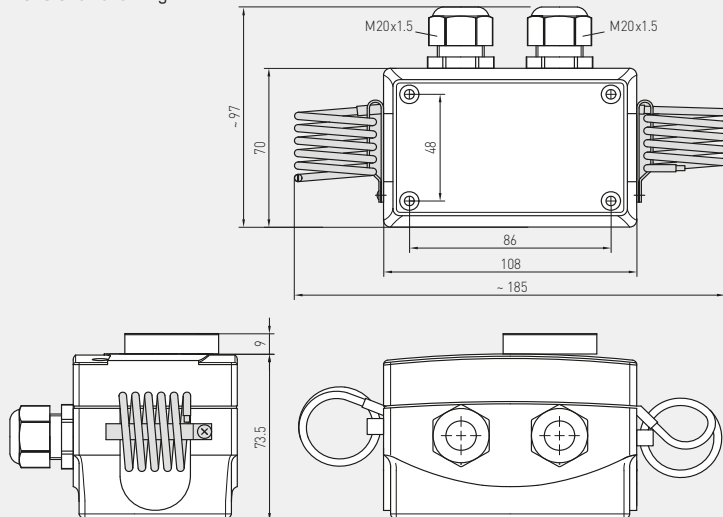
**FUNCTION**

**Heating:** Contacts 2-3 and 5-6 break when temperature rises to the preset value.

**Cooling:** Contacts 2-1 and 5-4 break when temperature drops to the preset value.

**Dimensional drawing**

TR 04040



**THERMASREG® TR 04040 – Temperature controllers, two-step**

Type / WG01	Temperature Range (adjustable)		Thermal Operating Difference (fixed) approx.		Max. Capillary Temperature	Item No.	Price
	1.	2.	1.	2.			
<b>TR 04040</b>						<b>TR + TW</b> (External/Internal setting)	
TR-04040	0...+40 °C	0...+40 °C	2K	2K	+65 °C	1102-1050-1200-200	<b>97,71 €</b>
<b>TR 04040 U</b>						<b>TW + TW</b> (Internal setting)	
TR-04040 U	0...+40 °C	0...+40 °C	2K	2K	+65 °C	1102-1050-2200-200	<b>97,71 €</b>

