



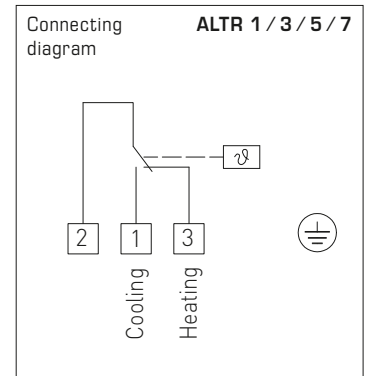
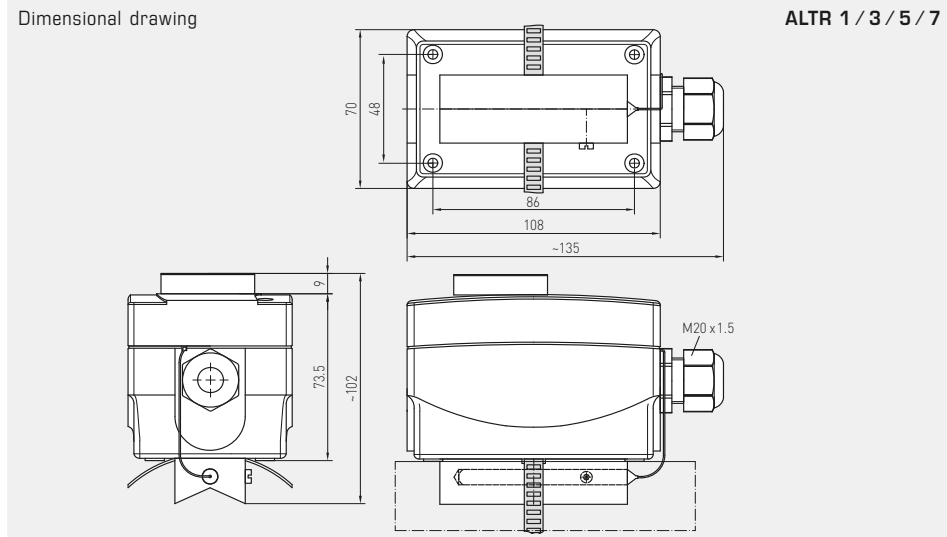


Mechanical temperature controllers / contact thermostats THERMASREG® ALTR with switching output (two-position controller) for monitoring, controlling and limitation of temperatures at pipes or vessels, e.g. in connection with hot-water or floor heating systems. The contact temperature controller ALTR is built as one-step device, as adjustable temperature controller TR (with external setting) or as adjustable temperature monitor TW (with internal setting).

TECHNICAL DATA	
Switching capacity: (Contact load)	24 ... 250 V AC + 10%, 16 A, cos φ = 1.0 24 ... 250 V AC + 10%, 1.5 A, cos φ = 0.6 at 24 V AC min. 150 mA
Contact:	dust-proof switch block unit as potential-free single-pole changeover contact
Enclosure:	plastic, material polyamide, 30% glass-globe-reinforced, colour traffic white (similar to RAL 9016)
Enclosure dimensions:	108 x 70 x 73.5 mm (Thor 2)
Cable gland:	M20 x 1.5; including strain relief
Enclosure temperature:	-35...+65 °C
Tolerance:	T _{min} ± 5 K; T _{max} ± 5 K
Design principle:	torsion meter with liquid filling
Process connection:	endless strap in metal tightener (included in the scope of delivery)
Strap dimensions:	Ø = 13 - 92 mm (¼ - 3"), L = 300 mm
Electrical connection:	0.14 - 2.5 mm ² via terminal screws
Protection class:	I (according to EN 60 730)
Protection type:	IP 65 (according to EN 60 529)
Standards:	CE conformity, EMC directive 2014 / 30 / EU, low-voltage directive 2014 / 35 / EU

FUNCTION

- Heating:** The preset setpoint (scale value) is equivalent to the switch-off value of the heating. The switch-on value is lower by the amount of operating difference. Contact 2-3 breaks when temperature rises to the preset value.
- Cooling:** The preset setpoint (scale value) is equivalent to the switch-on value of the cooling. The switch-off value is lower by the amount of operating difference. Contact 1-2 closes when temperature rises to the preset value.



THERMASREG® ALTR 1 / 3 / 5 / 7 – Surface contact temperature controllers					
Type / WG01	Temperature Range	Thermal Operating Difference (fixed) approx.	Max. Capillary Temperature	Item No.	Price
				TR (External setting)	
ALTR-1	-35... +35 °C	5 K (± 1 K)	+60 °C	1102-1030-1100-100	84,93 €
ALTR-3	0... +60 °C	5 K (± 1 K)	+75 °C	1102-1030-1100-300	84,93 €
ALTR-5	0... +90 °C	5 K (± 1 K)	+120 °C	1102-1030-1100-400	84,93 €
ALTR-7	0... +120 °C	5 K (± 1 K)	+130 °C	1102-1030-1100-500	84,93 €
Extra charge:	U = Internal setting (TW), e.g. ALTR-1 U				8,40 €