

**Immersion / screw-in / duct temperature sensor  
with passive output**

**Patented quality product (Immersion sensor patent no. DE 10 2012 017 500.0)**

**THERMASGARD® TF 43** is a resistance thermometer with passive output, enclosure made of impact-resistant plastic, enclosure cover with snap-on lid, and straight protective tube.

**THERMASGARD® TF 65** is a resistance thermometer with passive output, enclosure made of impact-resistant plastic, enclosure cover with quick-locking screws, and straight protective tube.

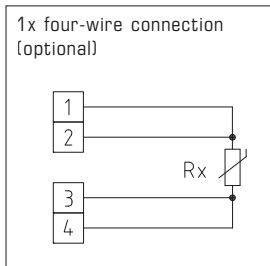
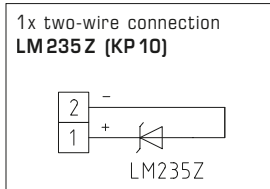
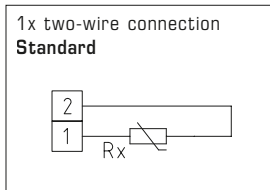
These built-in temperature sensors / immersion temperature sensors are electric contact thermometers for temperature measurement in liquids and gases, which are installed for example in piping systems and vessels. For aggressive media, stainless steel immersion sleeves must be used. Applications of these temperature sensors in piping systems, in heating technology, in storage tanks, in district heating compact stations, in hot and cold-water systems, in oil and lubricant circulation systems, in mechanical, apparatus and plant engineering as well as in the entire industrial sector.

**TECHNICAL DATA**

Measuring range:	-30...+150 °C (T <sub>max</sub> NTC = +150 °C, T <sub>max</sub> LM235Z = +125 °C)
Sensors / output:	see table, passive ( <b>Perfect Sensor Protection</b> ) (other sensors optional)
Connection type:	2-wire connection (4-wire connection optional)
Testing current:	approx. 1 mA
Protective tube:	stainless steel, <b>V4A</b> (1.4571), Ø = 6 mm, inserted length (EL) = 50 - 400 mm (see table)
Enclosure:	plastic, material polyamide, 30 % glass-globe-reinforced, colour pure traffic white (similar RAL 9016), <b>TF 43 with snap-on lid,</b> <b>TF 65 with quick-locking screws</b> (slotted / Phillips head combination),
Ambient temperature:	-20...+100 °C
Enclosure dimensions:	72 x 64 x 37.8 mm (Tyr 1 / Tyr 01)
Cable gland:	M 16 x 1.5; including strain relief, exchangeable, max. inner diameter 10.4 mm
Electrical connection:	0.14 - 1.5 mm <sup>2</sup> , via terminal screws on circuit board
Insulating resistance:	≥ 100 MΩ, at +20 °C (500 V DC)
Permissible humidity:	< 95 % r. H., non-precipitating air
Protection class:	III (according to EN 60 730)
Protection type:	<b>TF 43 IP 43</b> (according to EN 60 529) <b>TF 65 IP 65</b> (according to EN 60 529)

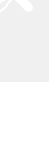
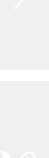
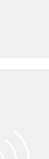
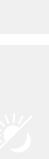
**ACCESSORIES**

<b>MF-15-K</b>	<b>Mounting flange</b> , plastic, 56.8 x 84.3 mm, Ø = 15.2 mm tube gland, T <sub>max</sub> = +100 °C
<b>TH08-ms/xx</b>	<b>Immersion sleeve</b> , brass, nickel-plated, Ø = 8 mm, T <sub>max</sub> = +150 °C, p <sub>max</sub> = 10 bar
<b>TH08-VA/xx</b>	<b>Immersion sleeve</b> , stainless steel, <b>V4A</b> (1.4571), Ø = 8 mm, T <sub>max</sub> = +600 °C, p <sub>max</sub> = 40 bar
<b>TH08-VA/xx/90</b>	<b>Immersion sleeve</b> , stainless steel, <b>V4A</b> (1.4571), with neck tube (90 mm), Ø = 8 mm, T <sub>max</sub> = +600 °C, p <sub>max</sub> = 40 bar



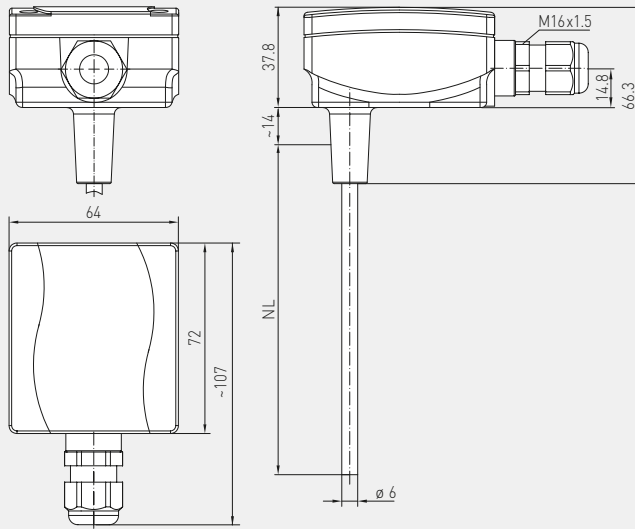
High-performance encapsulation against  
vibration, mechanical stress and humidity





Dimensional drawing

TF43

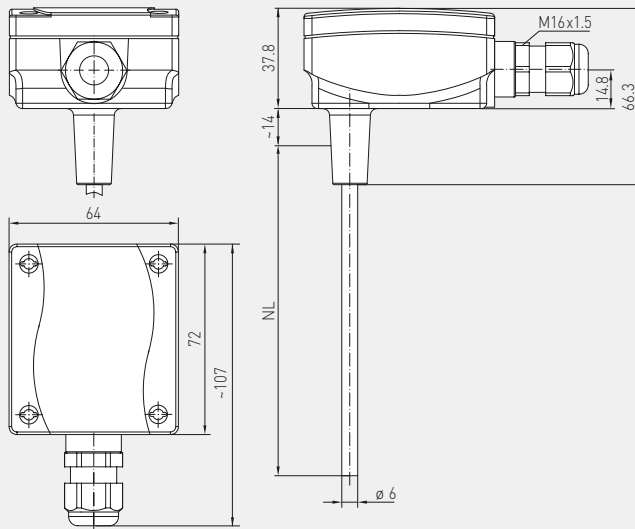


TF 43  
with snap-on lid  
(IP43)



Dimensional drawing

TF65



TF 65  
with quick-locking screws  
(IP65)



**PATENTED**



TFxx  
Basic device  
with accessories

**THERMASGARD® TF 65** – Temperature sensors (Basic device with quick-locking screws), *Premium*

Type / WG03 / EL	Sensor / Output	Item No.	Price
<b>TF65 PT100 xx</b>	<b>Pt100</b>	<b>IP65</b>	
TF65 PT100 50MM	Pt100 (according to DIN EN 60 751, class B)	1101-7020-1013-000	<b>29,53 €</b>
TF65 PT100 100MM	Pt100 (according to DIN EN 60 751, class B)	1101-7020-1023-000	<b>29,96 €</b>
TF65 PT100 150MM	Pt100 (according to DIN EN 60 751, class B)	1101-7020-1033-000	<b>30,82 €</b>
TF65 PT100 200MM	Pt100 (according to DIN EN 60 751, class B)	1101-7020-1043-000	<b>31,74 €</b>
TF65 PT100 250MM	Pt100 (according to DIN EN 60 751, class B)	1101-7020-1053-000	<b>32,49 €</b>
TF65 PT100 300MM	Pt100 (according to DIN EN 60 751, class B)	1101-7020-1063-000	<b>33,19 €</b>
TF65 PT100 350MM	Pt100 (according to DIN EN 60 751, class B)	1101-7020-1073-000	<b>33,83 €</b>
TF65 PT100 400MM	Pt100 (according to DIN EN 60 751, class B)	1101-7020-1083-000	<b>35,28 €</b>
<b>TF65 PT1000 xx</b>	<b>Pt1000</b>	<b>IP65</b>	
TF65 PT1000 50MM	Pt1000 (according to DIN EN 60 751, class B)	1101-7020-5011-000	<b>29,53 €</b>
TF65 PT1000 100MM	Pt1000 (according to DIN EN 60 751, class B)	1101-7020-5021-000	<b>29,96 €</b>
TF65 PT1000 150MM	Pt1000 (according to DIN EN 60 751, class B)	1101-7020-5031-000	<b>30,82 €</b>
TF65 PT1000 200MM	Pt1000 (according to DIN EN 60 751, class B)	1101-7020-5041-000	<b>31,74 €</b>
TF65 PT1000 250MM	Pt1000 (according to DIN EN 60 751, class B)	1101-7020-5051-000	<b>32,49 €</b>
TF65 PT1000 300MM	Pt1000 (according to DIN EN 60 751, class B)	1101-7020-5061-000	<b>33,19 €</b>
TF65 PT1000 350MM	Pt1000 (according to DIN EN 60 751, class B)	1101-7020-5071-000	<b>33,83 €</b>
TF65 PT1000 400MM	Pt1000 (according to DIN EN 60 751, class B)	1101-7020-5081-000	<b>35,28 €</b>
<b>TF65 PT1000A xx</b>	<b>Pt1000A</b>	<b>IP65</b>	
TF65 PT1000A 50MM	Pt1000 (according to VDI/VDE 3512, class A-TGA)	1101-7020-6013-000	<b>35,74 €</b>
TF65 PT1000A 100MM	Pt1000 (according to VDI/VDE 3512, class A-TGA)	1101-7020-6023-000	<b>36,31 €</b>
TF65 PT1000A 150MM	Pt1000 (according to VDI/VDE 3512, class A-TGA)	1101-7020-6033-000	<b>37,02 €</b>
TF65 PT1000A 200MM	Pt1000 (according to VDI/VDE 3512, class A-TGA)	1101-7020-6043-000	<b>37,94 €</b>
TF65 PT1000A 250MM	Pt1000 (according to VDI/VDE 3512, class A-TGA)	1101-7020-6053-000	<b>38,69 €</b>
TF65 PT1000A 300MM	Pt1000 (according to VDI/VDE 3512, class A-TGA)	1101-7020-6063-000	<b>38,93 €</b>
TF65 PT1000A 350MM	Pt1000 (according to VDI/VDE 3512, class A-TGA)	1101-7020-6073-000	<b>40,03 €</b>
TF65 PT1000A 400MM	Pt1000 (according to VDI/VDE 3512, class A-TGA)	1101-7020-6083-000	<b>41,48 €</b>
<b>TF65 Ni1000 xx</b>	<b>Ni 1000</b>	<b>IP65</b>	
TF65 Ni1000 50MM	Ni1000 (according to DIN EN 43 760, class B, TCR = 6180 ppm / K)	1101-7020-9011-000	<b>31,84 €</b>
TF65 Ni1000 100MM	Ni1000 (according to DIN EN 43 760, class B, TCR = 6180 ppm / K)	1101-7020-9021-000	<b>32,49 €</b>
TF65 Ni1000 150MM	Ni1000 (according to DIN EN 43 760, class B, TCR = 6180 ppm / K)	1101-7020-9031-000	<b>32,81 €</b>
TF65 Ni1000 200MM	Ni1000 (according to DIN EN 43 760, class B, TCR = 6180 ppm / K)	1101-7020-9041-000	<b>32,91 €</b>
TF65 Ni1000 250MM	Ni1000 (according to DIN EN 43 760, class B, TCR = 6180 ppm / K)	1101-7020-9051-000	<b>33,83 €</b>
TF65 Ni1000 300MM	Ni1000 (according to DIN EN 43 760, class B, TCR = 6180 ppm / K)	1101-7020-9061-000	<b>34,63 €</b>
TF65 Ni1000 350MM	Ni1000 (according to DIN EN 43 760, class B, TCR = 6180 ppm / K)	1101-7020-9071-000	<b>36,08 €</b>
TF65 Ni1000 400MM	Ni1000 (according to DIN EN 43 760, class B, TCR = 6180 ppm / K)	1101-7020-9081-000	<b>37,32 €</b>
<b>TF65 Ni1000TK xx</b>	<b>Ni1000 TK5000</b>	<b>IP65</b>	
TF65 Ni1000TK 50MM	Ni1000 TK5000 (TCR = 5000 ppm / K), LG- Ni1000	1101-7021-0011-000	<b>31,94 €</b>
TF65 Ni1000TK 100MM	Ni1000 TK5000 (TCR = 5000 ppm / K), LG- Ni1000	1101-7021-0021-000	<b>32,59 €</b>
TF65 Ni1000TK 150MM	Ni1000 TK5000 (TCR = 5000 ppm / K), LG- Ni1000	1101-7021-0031-000	<b>32,91 €</b>
TF65 Ni1000TK 200MM	Ni1000 TK5000 (TCR = 5000 ppm / K), LG- Ni1000	1101-7021-0041-000	<b>33,02 €</b>
TF65 Ni1000TK 250MM	Ni1000 TK5000 (TCR = 5000 ppm / K), LG- Ni1000	1101-7021-0051-000	<b>33,94 €</b>
TF65 Ni1000TK 300MM	Ni1000 TK5000 (TCR = 5000 ppm / K), LG- Ni1000	1101-7021-0061-000	<b>34,85 €</b>
TF65 Ni1000TK 350MM	Ni1000 TK5000 (TCR = 5000 ppm / K), LG- Ni1000	1101-7021-0071-000	<b>36,34 €</b>
TF65 Ni1000TK 400MM	Ni1000 TK5000 (TCR = 5000 ppm / K), LG- Ni1000	1101-7021-0081-000	<b>37,43 €</b>

Continued on next page...

 High-performance encapsulation against  
 vibration, mechanical stress and humidity




THERMASGARD® TF 65 – Temperature sensors (Basic device with quick-locking screws), <i>Premium</i>			
Type / WG03 / EL	Sensor / Output	Item No.	Price
<b>TF65 LM235Z xx</b>	<b>LM235Z</b>	<b>IP65</b>	
TF65 LM235Z 50MM	LM235Z (TCR = 10 mV/K; 2.73 V at 0 °C), KP10	1101-7022-1011-000	<b>30,29 €</b>
TF65 LM235Z 100MM	LM235Z (TCR = 10 mV/K; 2.73 V at 0 °C), KP10	1101-7022-1021-000	<b>30,49 €</b>
TF65 LM235Z 150MM	LM235Z (TCR = 10 mV/K; 2.73 V at 0 °C), KP10	1101-7022-1031-000	<b>31,20 €</b>
TF65 LM235Z 200MM	LM235Z (TCR = 10 mV/K; 2.73 V at 0 °C), KP10	1101-7022-1041-000	<b>32,32 €</b>
TF65 LM235Z 250MM	LM235Z (TCR = 10 mV/K; 2.73 V at 0 °C), KP10	1101-7022-1051-000	<b>33,02 €</b>
TF65 LM235Z 300MM	LM235Z (TCR = 10 mV/K; 2.73 V at 0 °C), KP10	1101-7022-1061-000	<b>34,04 €</b>
TF65 LM235Z 350MM	LM235Z (TCR = 10 mV/K; 2.73 V at 0 °C), KP10	1101-7022-1071-000	<b>41,56 €</b>
TF65 LM235Z 400MM	LM235Z (TCR = 10 mV/K; 2.73 V at 0 °C), KP10	1101-7022-1081-000	<b>36,41 €</b>
<b>TF65 NTC 1.8K xx</b>	<b>NTC 1.8K</b>	<b>IP65</b>	
TF65 NTC1,8K 50MM	NTC 1.8K	1101-7021-2011-000	<b>32,00 €</b>
TF65 NTC1,8K 100MM	NTC 1.8K	1101-7021-2021-000	<b>32,54 €</b>
TF65 NTC1,8K 150MM	NTC 1.8K	1101-7021-2031-000	<b>32,97 €</b>
TF65 NTC1,8K 200MM	NTC 1.8K	1101-7021-2041-000	<b>34,21 €</b>
TF65 NTC1,8K 250MM	NTC 1.8K	1101-7021-2051-000	<b>34,96 €</b>
TF65 NTC1,8K 300MM	NTC 1.8K	1101-7021-2061-000	<b>35,54 €</b>
TF65 NTC1,8K 350MM	NTC 1.8K	1101-7021-2071-000	<b>37,15 €</b>
TF65 NTC1,8K 400MM	NTC 1.8K	1101-7021-2081-000	<b>38,55 €</b>
<b>TF65 NTC10K xx</b>	<b>NTC 10K</b>	<b>IP65</b>	
TF65 NTC10K 50MM	NTC 10K	1101-7021-5011-000	<b>32,00 €</b>
TF65 NTC10K 100MM	NTC 10K	1101-7021-5021-000	<b>32,54 €</b>
TF65 NTC10K 150MM	NTC 10K	1101-7021-5031-000	<b>32,97 €</b>
TF65 NTC10K 200MM	NTC 10K	1101-7021-5041-000	<b>34,21 €</b>
TF65 NTC10K 250MM	NTC 10K	1101-7021-5051-000	<b>34,96 €</b>
TF65 NTC10K 300MM	NTC 10K	1101-7021-5061-000	<b>35,54 €</b>
TF65 NTC10K 350MM	NTC 10K	1101-7021-5071-000	<b>37,15 €</b>
TF65 NTC10K 400MM	NTC 10K	1101-7021-5081-000	<b>38,55 €</b>
<b>TF65 NTC20K xx</b>	<b>NTC 20K</b>	<b>IP65</b>	
TF65 NTC20K 50MM	NTC 20K	1101-7021-6011-000	<b>32,00 €</b>
TF65 NTC20K 100MM	NTC 20K	1101-7021-6021-000	<b>32,54 €</b>
TF65 NTC20K 150MM	NTC 20K	1101-7021-6031-000	<b>32,97 €</b>
TF65 NTC20K 200MM	NTC 20K	1101-7021-6041-000	<b>34,21 €</b>
TF65 NTC20K 250MM	NTC 20K	1101-7021-6051-000	<b>34,96 €</b>
TF65 NTC20K 300MM	NTC 20K	1101-7021-6061-000	<b>35,54 €</b>
TF65 NTC20K 350MM	NTC 20K	1101-7021-6071-000	<b>37,15 €</b>
TF65 NTC20K 400MM	NTC 20K	1101-7021-6081-000	<b>38,55 €</b>
Note:	Other sensors optional	on request	



**THERMASGARD® TF 43** – Temperature sensors (Basic device with snap-on lid), *Standard*

Type / WG03 / EL	Sensor / Output	Item No.	Price
<b>TF43 PT100 xx</b>	<b>Pt100</b>	<b>IP43</b>	
TF43 PT100 50MM	Pt100 (according to DIN EN 60 751, class B)	1101-7010-1013-000	<b>23,84 €</b>
TF43 PT100 100MM	Pt100 (according to DIN EN 60 751, class B)	1101-7010-1023-000	<b>23,95 €</b>
TF43 PT100 150MM	Pt100 (according to DIN EN 60 751, class B)	1101-7010-1033-000	<b>24,70 €</b>
TF43 PT100 200MM	Pt100 (according to DIN EN 60 751, class B)	1101-7010-1043-000	<b>25,40 €</b>
TF43 PT100 250MM	Pt100 (according to DIN EN 60 751, class B)	1101-7010-1053-000	<b>26,69 €</b>
TF43 PT100 300MM	Pt100 (according to DIN EN 60 751, class B)	1101-7010-1063-000	<b>28,89 €</b>
TF43 PT100 350MM	Pt100 (according to DIN EN 60 751, class B)	1101-7010-1073-000	<b>29,78 €</b>
TF43 PT100 400MM	Pt100 (according to DIN EN 60 751, class B)	1101-7010-1083-000	<b>30,72 €</b>
<b>TF43 PT1000 xx</b>	<b>Pt1000</b>	<b>IP43</b>	
TF43 PT1000 50MM	Pt1000 (according to DIN EN 60 751, class B)	1101-7010-5011-000	<b>23,84 €</b>
TF43 PT1000 100MM	Pt1000 (according to DIN EN 60 751, class B)	1101-7010-5021-000	<b>23,95 €</b>
TF43 PT1000 150MM	Pt1000 (according to DIN EN 60 751, class B)	1101-7010-5031-000	<b>24,70 €</b>
TF43 PT1000 200MM	Pt1000 (according to DIN EN 60 751, class B)	1101-7010-5041-000	<b>25,40 €</b>
TF43 PT1000 250MM	Pt1000 (according to DIN EN 60 751, class B)	1101-7010-5051-000	<b>26,69 €</b>
TF43 PT1000 300MM	Pt1000 (according to DIN EN 60 751, class B)	1101-7010-5061-000	<b>28,89 €</b>
TF43 PT1000 350MM	Pt1000 (according to DIN EN 60 751, class B)	1101-7010-5071-000	<b>29,78 €</b>
TF43 PT1000 400MM	Pt1000 (according to DIN EN 60 751, class B)	1101-7010-5081-000	<b>30,72 €</b>
<b>TF43 Ni1000 xx</b>	<b>Ni1000</b>	<b>IP43</b>	
TF43 Ni1000 50MM	Ni1000 (according to DIN EN 43 760, class B, TCR = 6180 ppm / K)	1101-7010-9011-000	<b>24,44 €</b>
TF43 Ni1000 100MM	Ni1000 (according to DIN EN 43 760, class B, TCR = 6180 ppm / K)	1101-7010-9021-000	<b>26,74 €</b>
TF43 Ni1000 150MM	Ni1000 (according to DIN EN 43 760, class B, TCR = 6180 ppm / K)	1101-7010-9031-000	<b>26,95 €</b>
TF43 Ni1000 200MM	Ni1000 (according to DIN EN 43 760, class B, TCR = 6180 ppm / K)	1101-7010-9041-000	<b>27,54 €</b>
TF43 Ni1000 250MM	Ni1000 (according to DIN EN 43 760, class B, TCR = 6180 ppm / K)	1101-7010-9051-000	<b>28,30 €</b>
TF43 Ni1000 300MM	Ni1000 (according to DIN EN 43 760, class B, TCR = 6180 ppm / K)	1101-7010-9061-000	<b>30,18 €</b>
TF43 Ni1000 350MM	Ni1000 (according to DIN EN 43 760, class B, TCR = 6180 ppm / K)	1101-7010-9071-000	<b>31,02 €</b>
TF43 Ni1000 400MM	Ni1000 (according to DIN EN 43 760, class B, TCR = 6180 ppm / K)	1101-7010-9081-000	<b>32,43 €</b>
<b>TF43 Ni1000TK xx</b>	<b>Ni1000 TK5000</b>	<b>IP43</b>	
TF43 Ni1000TK 50MM	Ni1000 TK5000 (TCR = 5000 ppm / K), LG - Ni1000	1101-7011-0011-000	<b>24,48 €</b>
TF43 Ni1000TK 100MM	Ni1000 TK5000 (TCR = 5000 ppm / K), LG - Ni1000	1101-7011-0021-000	<b>26,80 €</b>
TF43 Ni1000TK 150MM	Ni1000 TK5000 (TCR = 5000 ppm / K), LG - Ni1000	1101-7011-0031-000	<b>27,07 €</b>
TF43 Ni1000TK 200MM	Ni1000 TK5000 (TCR = 5000 ppm / K), LG - Ni1000	1101-7011-0041-000	<b>27,65 €</b>
TF43 Ni1000TK 250MM	Ni1000 TK5000 (TCR = 5000 ppm / K), LG - Ni1000	1101-7011-0051-000	<b>28,40 €</b>
TF43 Ni1000TK 300MM	Ni1000 TK5000 (TCR = 5000 ppm / K), LG - Ni1000	1101-7011-0061-000	<b>30,29 €</b>
TF43 Ni1000TK 350MM	Ni1000 TK5000 (TCR = 5000 ppm / K), LG - Ni1000	1101-7011-0071-000	<b>31,24 €</b>
TF43 Ni1000TK 400MM	Ni1000 TK5000 (TCR = 5000 ppm / K), LG - Ni1000	1101-7011-0081-000	<b>32,54 €</b>

Continued on next page...

 High-performance encapsulation against  
 vibration, mechanical stress and humidity


**THERMASGARD® TF 43** – Temperature sensors (Basic device with snap-on lid), *Standard*

Type / WG03 / EL	Sensor / Output	Item No.	Price
<b>TF43 LM235Z xx</b>	<b>LM235Z</b>	<b>IP43</b>	
TF43 LM235Z 50MM	LM235Z (TCR = 10 mV / K; 2.73 V at 0 °C), KP10	1101-7012-1011-000	<b>24,92 €</b>
TF43 LM235Z 100MM	LM235Z (TCR = 10 mV / K; 2.73 V at 0 °C), KP10	1101-7012-1021-000	<b>25,18 €</b>
TF43 LM235Z 150MM	LM235Z (TCR = 10 mV / K; 2.73 V at 0 °C), KP10	1101-7012-1031-000	<b>26,10 €</b>
TF43 LM235Z 200MM	LM235Z (TCR = 10 mV / K; 2.73 V at 0 °C), KP10	1101-7012-1041-000	<b>26,69 €</b>
TF43 LM235Z 250MM	LM235Z (TCR = 10 mV / K; 2.73 V at 0 °C), KP10	1101-7012-1051-000	<b>27,00 €</b>
TF43 LM235Z 300MM	LM235Z (TCR = 10 mV / K; 2.73 V at 0 °C), KP10	1101-7012-1061-000	<b>29,32 €</b>
TF43 LM235Z 350MM	LM235Z (TCR = 10 mV / K; 2.73 V at 0 °C), KP10	1101-7012-1071-000	<b>29,67 €</b>
TF43 LM235Z 400MM	LM235Z (TCR = 10 mV / K; 2.73 V at 0 °C), KP10	1101-7012-1081-000	<b>31,52 €</b>
<b>TF43 NTC 1.8K xx</b>	<b>NTC 1.8K</b>	<b>IP43</b>	
TF43 NTC1,8K 50MM	NTC 1.8K	1101-7011-2011-000	<b>23,84 €</b>
TF43 NTC1,8K 100MM	NTC 1.8K	1101-7011-2021-000	<b>25,13 €</b>
TF43 NTC1,8K 150MM	NTC 1.8K	1101-7011-2031-000	<b>25,77 €</b>
TF43 NTC1,8K 200MM	NTC 1.8K	1101-7011-2041-000	<b>26,37 €</b>
TF43 NTC1,8K 250MM	NTC 1.8K	1101-7011-2051-000	<b>27,65 €</b>
TF43 NTC1,8K 300MM	NTC 1.8K	1101-7011-2061-000	<b>28,56 €</b>
TF43 NTC1,8K 350MM	NTC 1.8K	1101-7011-2071-000	<b>29,52 €</b>
TF43 NTC1,8K 400MM	NTC 1.8K	1101-7011-2081-000	<b>30,29 €</b>
<b>TF43 NTC10K xx</b>	<b>NTC 10K</b>	<b>IP43</b>	
TF43 NTC10K 50MM	NTC 10K	1101-7011-5011-000	<b>23,84 €</b>
TF43 NTC10K 100MM	NTC 10K	1101-7011-5021-000	<b>25,13 €</b>
TF43 NTC10K 150MM	NTC 10K	1101-7011-5031-000	<b>25,77 €</b>
TF43 NTC10K 200MM	NTC 10K	1101-7011-5041-000	<b>26,37 €</b>
TF43 NTC10K 250MM	NTC 10K	1101-7011-5051-000	<b>27,65 €</b>
TF43 NTC10K 300MM	NTC 10K	1101-7011-5061-000	<b>28,56 €</b>
TF43 NTC10K 350MM	NTC 10K	1101-7011-5071-000	<b>29,52 €</b>
TF43 NTC10K 400MM	NTC 10K	1101-7011-5081-000	<b>30,29 €</b>
<b>TF43 NTC20K xx</b>	<b>NTC 20K</b>	<b>IP43</b>	
TF43 NTC20K 50MM	NTC 20K	1101-7011-6011-000	<b>23,84 €</b>
TF43 NTC20K 100MM	NTC 20K	1101-7011-6021-000	<b>25,13 €</b>
TF43 NTC20K 150MM	NTC 20K	1101-7011-6031-000	<b>25,77 €</b>
TF43 NTC20K 200MM	NTC 20K	1101-7011-6041-000	<b>26,37 €</b>
TF43 NTC20K 250MM	NTC 20K	1101-7011-6051-000	<b>27,65 €</b>
TF43 NTC20K 300MM	NTC 20K	1101-7011-6061-000	<b>28,56 €</b>
TF43 NTC20K 350MM	NTC 20K	1101-7011-6071-000	<b>29,52 €</b>
TF43 NTC20K 400MM	NTC 20K	1101-7011-6081-000	<b>30,29 €</b>
Note	Other sensors optional	on request	

TF43  
with snap-on lid  
(IP43)

Immersion / screw-in / duct temperature sensor  
 with passive output

One basic device in four variants...

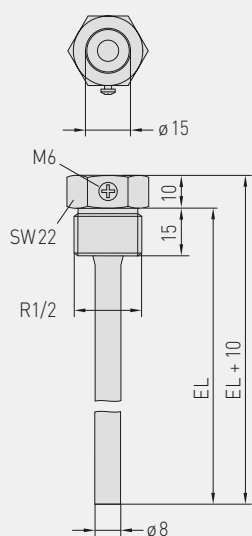


**PATENTED**

**TFxx + TH08-ms/xx**

Immersion / screw-in temperature sensor with immersion sleeve, brass, nickel-plated

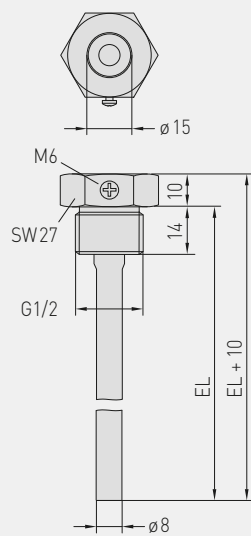
Dimensional drawing TH08-ms / xx



**TFxx + TH08-VA/xx**

Immersion / screw-in temperature sensor with immersion sleeve, stainless steel, V4A

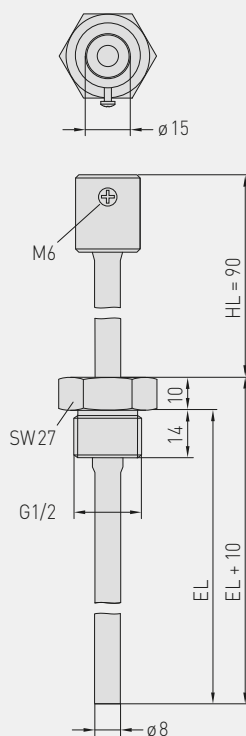
Dimensional drawing TH08-VA / xx



**TFxx + TH08-VA/xx/90**

Immersion / screw-in temperature sensor with immersion sleeve with neck tube, stainless steel, V4A

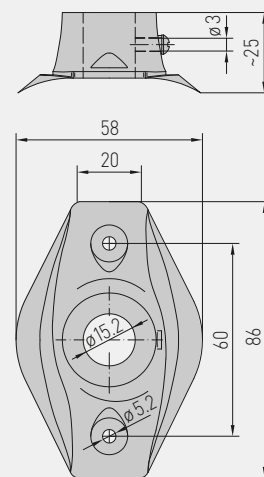
Dimensional drawing TH08-VA / xx / 90



**TFxx + MF-15-K**

Duct temperature sensor with mounting flange, plastic

Dimensional drawing MF-15-K





...through combination with accessories:



**TH08-ms/xx**

Immersion sleeve, brass, nickel-plated, thread-sealing, conical, according to DIN 10226



**TH08-VA/xx**

Immersion sleeve, stainless steel, V4A, flat-sealing, cylindrical, according to DIN 228



**TH08-VA/xx/90**

Immersion sleeve with neck tube, stainless steel, V4A, flat-sealing, cylindrical, according to DIN 228



**MF-15-K**

Mounting flange, plastic

THERMASGARD® TH08 – Immersion sleeve Ø 8 mm (Accessories)					
Type / WG01	p <sub>max</sub> (static)	T <sub>max</sub>	Inserted Length	Item No.	Price
<b>TH08-ms/xx</b>	<b>Brass, nickel-plated</b>			without neck tube	
TH08-MS 50MM	10 bar	+150 °C	50 mm	7100-0011-0010-132	7,85 €
TH08-MS 100MM	10 bar	+150 °C	100 mm	7100-0011-0020-132	8,16 €
TH08-MS 150MM	10 bar	+150 °C	150 mm	7100-0011-0030-132	9,02 €
TH08-MS 200MM	10 bar	+150 °C	200 mm	7100-0011-0040-132	9,51 €
TH08-MS 250MM	10 bar	+150 °C	250 mm	7100-0011-0050-132	9,83 €
TH08-MS 300MM	10 bar	+150 °C	300 mm	7100-0011-0060-132	11,29 €
TH08-MS 350MM	10 bar	+150 °C	350 mm	7100-0011-0070-132	13,32 €
TH08-MS 400MM	10 bar	+150 °C	400 mm	7100-0011-0080-132	11,71 €
<b>TH08-VA/xx</b>	<b>Stainless steel, V4A (1.4571)</b>			without neck tube	
TH08-VA 50MM	40 bar	+600 °C	50 mm	7100-0012-0010-132	14,99 €
TH08-VA 100MM	40 bar	+600 °C	100 mm	7100-0012-0020-132	15,78 €
TH08-VA 150MM	40 bar	+600 °C	150 mm	7100-0012-0030-132	16,59 €
TH08-VA 200MM	40 bar	+600 °C	200 mm	7100-0012-0040-132	17,72 €
TH08-VA 250MM	40 bar	+600 °C	250 mm	7100-0012-0050-132	18,63 €
TH08-VA 300MM	40 bar	+600 °C	300 mm	7100-0012-0060-132	23,20 €
TH08-VA 350MM	40 bar	+600 °C	350 mm	7100-0012-0070-132	23,63 €
TH08-VA 400MM	40 bar	+600 °C	400 mm	7100-0012-0080-132	24,11 €
<b>TH08-VA/xx/90</b>	<b>Stainless steel, V4A (1.4571)</b>			with neck tube (90 mm)	
TH08-VA 50/90MM	40 bar	+600 °C	50 mm	7100-0012-0012-132	22,56 €
TH08-VA 100/90MM	40 bar	+600 °C	100 mm	7100-0012-0022-132	23,63 €
TH08-VA 150/90MM	40 bar	+600 °C	150 mm	7100-0012-0032-132	24,85 €
TH08-VA 200/90MM	40 bar	+600 °C	200 mm	7100-0012-0042-132	26,05 €
TH08-VA 250/90MM	40 bar	+600 °C	250 mm	7100-0012-0052-132	27,33 €
TH08-VA 300/90MM	40 bar	+600 °C	300 mm	7100-0012-0062-132	29,85 €
Note:	inner diameter of socket 15.0 mm For further information see last chapter!				
Mounting flange (Accessories)					
Type / WG01		T <sub>max</sub>		Item No.	Price
<b>MF</b>					
<b>MF-15-K</b>	<b>Mounting flange, plastic, 56.8x84.3 mm, Ø 15.2 mm tube gland</b>	+100 °C		7100-0032-0000-000	5,16 €
Note:	For further information see last chapter!				