

Room temperature measuring transducers, calibratable, with multi-range switching and active output

Calibratable room temperature measuring transducer **THERMASGARD® RTM 1** with continuous output, with or without optional display for displaying the actual temperature in an elegant enclosure made of plastic, with snap-on lid, base with 4-hole attachment for installation on vertically or horizontally installed in-wall flush boxes, with predetermined breaking point for on-wall cable entry, or in enclosure made of stainless steel (top and bottom part are of stainless steel, the lid is screwed on), vandal-proof version e.g. for schools, military barracks, and public buildings. This room temperature transmitter / residential room temperature sensor is used to detect / display temperatures in closed dry rooms, in apartments, in offices, supermarkets and business facilities.

RTM 1



TECHNICAL DATA

Power supply:	24 V AC / DC (± 10%) for U variant 15...36 V DC for I variant, depending on working resistance, residual ripple stabilised ± 0.3 V
Working resistance:	$R_a \text{ (ohm)} = (U_b - 14 \text{ V}) / 0.02 \text{ A}$ for I variant
Load resistance:	$R_L > 5 \text{ kOhm}$ for U variant
Sensor:	Pt1000, DIN EN 60751, class B
Measuring ranges:	multi-range switching with 8 switchable measuring ranges, see table (other ranges optional) operating range $-30...+70 \text{ }^\circ\text{C}$ with manual zero point correction (± 10K)
Deviation, temperature:	± 0.2 K at +25 °C
Output:	0 - 10V or 4...20mA
Ambient temperature:	measuring transducer $-30...+70 \text{ }^\circ\text{C}$
Connection type:	2- or 3-wire connection
Process connection:	by screws
Enclosure:	plastic, material ABS, colour pure white (similar to RAL 9010), (optional stainless steel)
Dimensions:	85 x 85 x 27 mm (Balduur 1) 75 x 75 x 25 mm (stainless steel)
Electrical connection:	0.14 - 1.5 mm ² via terminal screws
Installation:	wall mounting or on in-wall flush box Ø55 mm, base with 4-hole for mounting on vertically or horizontally installed in-wall flush boxes for cable entry from the back, with predetermined breaking point for on-wall cable entry from top / bottom in case of plain on-wall installation
Humidity:	< 95% r. H., non-precipitating air
Protection class:	III (according to EN 60730)
Protection type:	IP 30 (according to EN 60529)
Standards:	CE conformity, electromagnetic compatibility according to EN 61326, according to EMC directive 2014 / 30 / EU
Optional:	Two-line display with illumination , cutout 36 x 15 mm (W x H), for displaying the ACTUAL temperature and the internal diagnostics (sensor breakage, sensor short circuit) see beginning of this chapter!

Measuring ranges (adjustable)	DIP 1	DIP 2	DIP 3
-20 °C... +150 °C	ON	ON	ON
-50 °C... +50 °C	OFF	ON	ON
-20 °C... +80 °C	ON	OFF	ON
-30 °C... +60 °C	OFF	OFF	ON
0 °C... +40 °C	ON	ON	OFF
0 °C... +50 °C*	OFF	ON	OFF
0 °C... +100 °C	ON	OFF	OFF
0 °C... +150 °C	OFF	OFF	OFF

* standard

Display and internal diagnostics

RTM 1-U-Display
RTM 1-I-Display



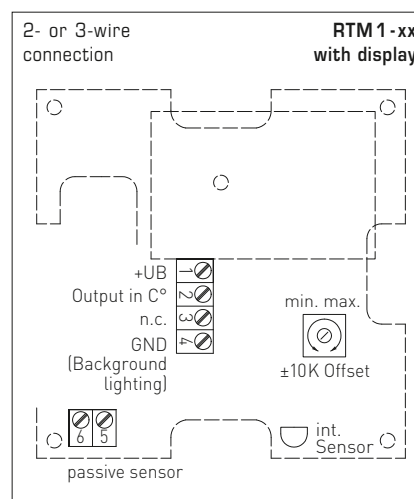
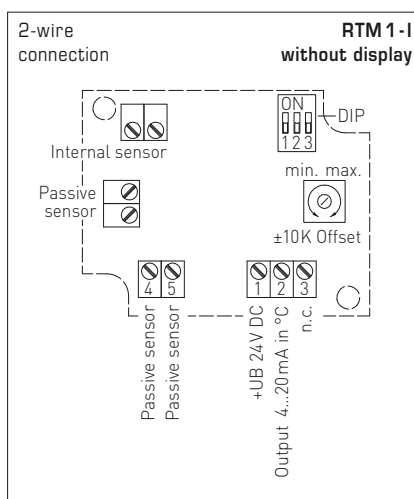
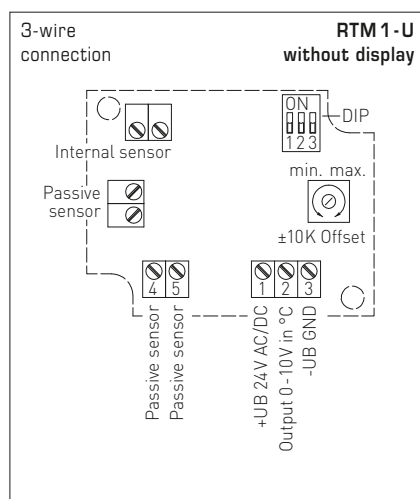
Standard



Sensor breakage



Sensor short circuit

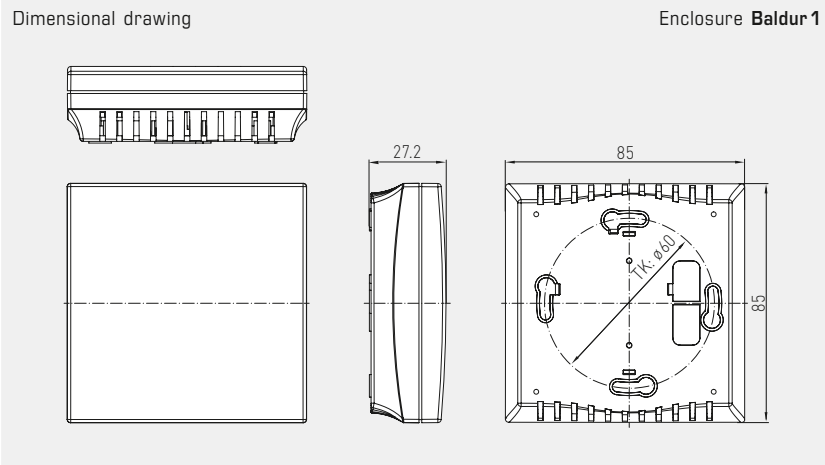




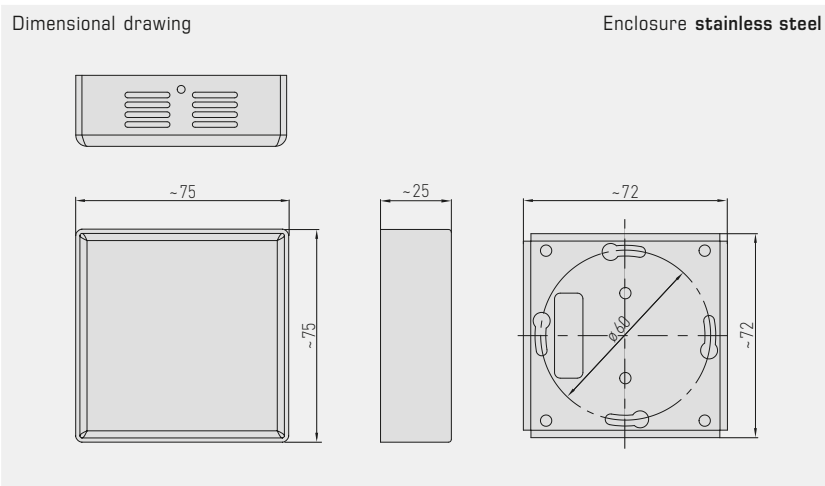
S+S REGELTECHNIK

Thermasgard® RTM 1

Room temperature measuring transducers, calibratable, with multi-range switching and active output



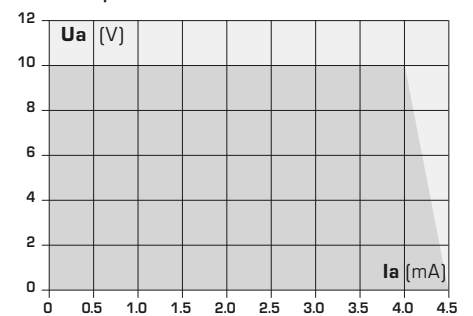
RTM 1 with display



RTM 1 (stainless steel)



Dependency of output voltage on output current



THERMASGARD® RTM 1 – Room temperature measuring transducers

Type / WG01	Sensor	Output	Features	Display	Item No.	Price
RTM1-U						
IP30, U-variant						
RTM1-U	Pt1000	0-10V	–		1101-41A1-0000-200	76,78 €
RTM1-U DISPLAY	Pt1000	0-10V	Display	■	1101-41A1-2000-200	123,49 €
RTM1-U E	Pt1000	0-10V	Stainless steel enclosure		1101-4151-0000-200	168,05 €
RTM1-I						
IP30, I-variant						
RTM1-I	Pt1000	4...20 mA	–		1101-41A2-0000-200	76,78 €
RTM1-I DISPLAY	Pt1000	4...20 mA	Display	■	1101-41A2-2000-200	123,49 €
RTM1-I	Pt1000	4...20 mA	Stainless steel enclosure		1101-4152-0000-200	168,05 €
Extra charge:	Other ranges optional					21,42 €