

Mean value / rod / duct temperature sensor including mounting flange, with passive output

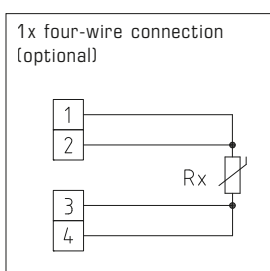
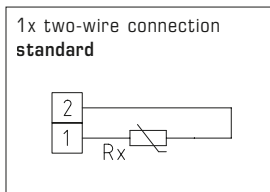
MWTF

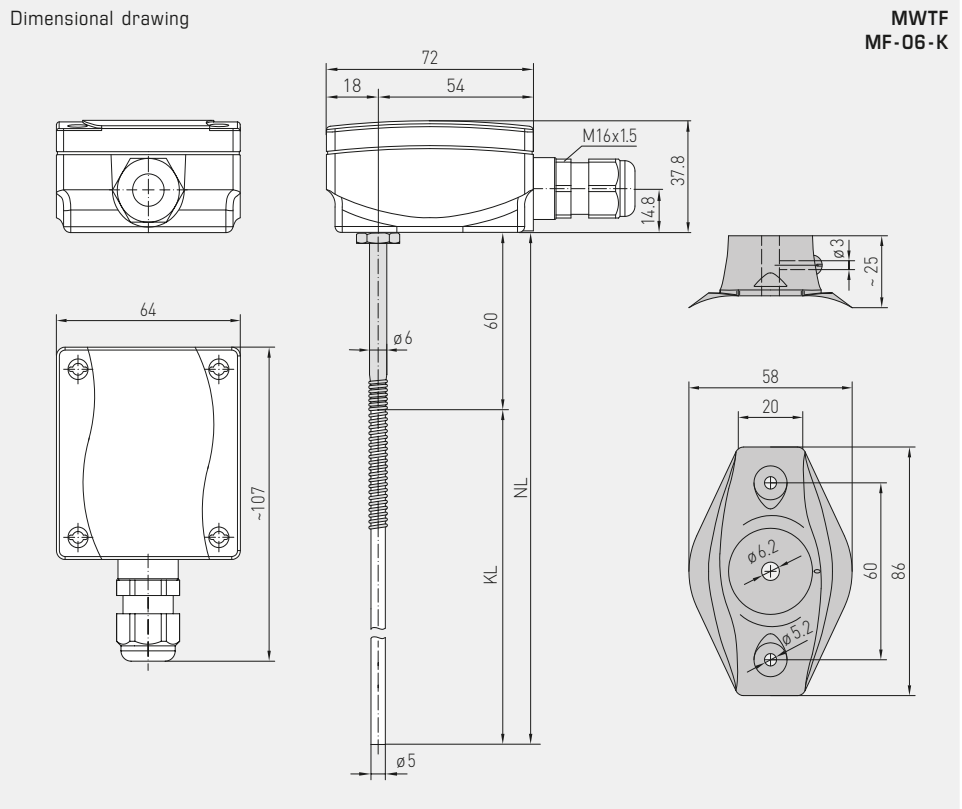
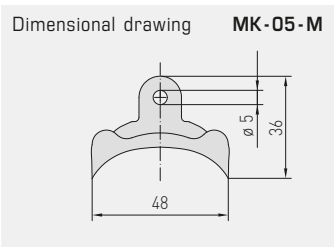
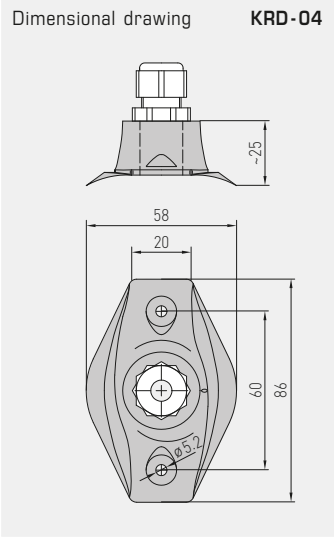
Sturdy mean value temperature sensor **THERMASGARD® MWTF** (rod sensor) with passive output, fully active sensor rod for mean value measurement, plastic-coated copper protective tube, terminal box enclosure made of impact-resistant plastic and enclosure cover with quick-locking screws.

This sensor is used to measure average temperatures (mean values) in gaseous media, e.g. in ventilation and air conditioning ducts as air duct temperature sensor over the entire cross section, or over a defined length. Laid along a meandering route, it uniformly detects the surrounding temperature. This mean value sensor is available in lengths of 0.4...20m and is delivered as standard with a mounting flange. Mounting clamps **MK-05-M** may be added to the order as optional accessories.

TECHNICAL DATA

Measuring range:	-30...+80 °C
Sensors / output:	see table, passive
Connection type:	2-wire connection (4-wire connection optional)
Testing current:	approx. 1 mA (wire measuring resistor)
Sleeve:	stainless steel, 1.4571, V4A
Rod material:	copper, plastic-coated, with spring for buckling protection
Sensor and rod dimensions:	Ø = 5.0 mm, nominal length NL = 0.4 m / 3 m / 6 m (optional up to 20 m)
Enclosure:	plastic, material polyamide, 30 % glass-globe-reinforced, with quick-locking screws (slotted / Phillips head combination), colour traffic white (similar to RAL 9016), ambient temperature -20...+80 °C
Enclosure dimensions:	72 x 64 x 37.8 mm (Tyr 1)
Cable gland:	M 16 x 1.5, including strain relief, exchangeable, max. inner diameter 10.4 mm
Electrical connection:	0.14 - 1.5 mm ² via terminal screws on circuit board
Installation:	observe minimum bending radius of 35 mm and permissible vibration loads ≤ ½ g
Process connection:	by mounting flange, plastic, (galvanised steel optional, see accessories) and mounting clamps MK-05-M
Sensor:	active over the entire length (averaging)
Humidity:	< 95 % r. H., non-precipitating air
Protection class:	III (according to EN 60 730)
Protection type:	IP 65 (according to EN 60 529)





THERMASGARD® MWTF – Mean value / rod / duct temperature sensor

Type / WG03	Sensor / Output	Rod Length	Item No.	Price
MWTF	Pt 100		IP65	
MWTF PT100 0,4M	Pt100 (according to DIN EN 60 751, class B)	0.4 m	1101-3050-1083-000	59,06 €
MWTF PT100 3M	Pt100 (according to DIN EN 60 751, class B)	3.0 m	1101-3050-1233-000	122,40 €
MWTF PT100 6M	Pt100 (according to DIN EN 60 751, class B)	6.0 m	1101-3050-1263-000	164,29 €
MWTF	Pt 1000		IP65	
MWTF PT1000 0,4M	Pt1000 (according to DIN EN 60 751, class B)	0.4 m	1101-3050-5081-000	61,20 €
MWTF PT1000 3M	Pt1000 (according to DIN EN 60 751, class B)	3.0 m	1101-3050-5231-000	122,40 €
MWTF PT1000 6M	Pt1000 (according to DIN EN 60 751, class B)	6.0 m	1101-3050-5261-000	164,29 €
MWTF	Ni 1000		IP65	
MWTF Ni1000 0,4M	Ni1000 (according to DIN EN 43 760, class B)	0.4 m	1101-3050-9081-000	68,72 €
MWTF Ni1000 3M	Ni1000 (according to DIN EN 43 760, class B)	3.0 m	1101-3050-9231-000	128,32 €
MWTF Ni1000 6M	Ni1000 (according to DIN EN 43 760, class B)	6.0 m	1101-3050-9261-000	164,29 €
Extra charge:	Per meter sensor cable (from 6 m to max. 20 m)			19,18 €

Accessories

MF-06-K	Mounting flange, plastic (included in the scope of delivery)	7100-0030-1000-000	5,16 €
KRD-04	Capillary tube gland bracket, plastic	7100-0030-7000-000	7,52 €
MK-05-M	Mounting clamps, galvanised steel (6 pieces) (for NL = 3.0 m / 6.0 m included in the scope of delivery)	7100-0034-0000-000	8,33 €

For further information see last chapter!