

**Ceiling built-in temperature sensors
with passive output**

THERMASGARD® DTF is a small built-in resistance thermometer with passive output for in-wall installation, e.g. in plasterboard walls or suspended ceilings. The ceiling temperature sensor DTF is preferably installed in ceilings and walls, blends in seamlessly with the overall architectural design and detects the temperature at the surface. The connecting head is pluggable for quick, easy mounting.

DTF
Connecting head,
pluggable

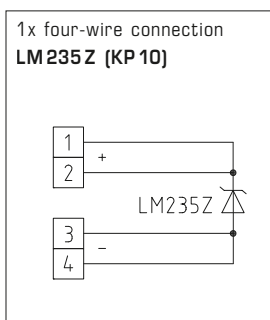
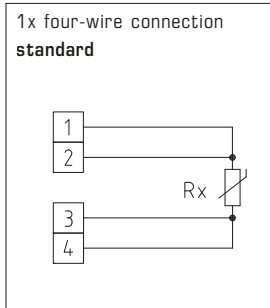
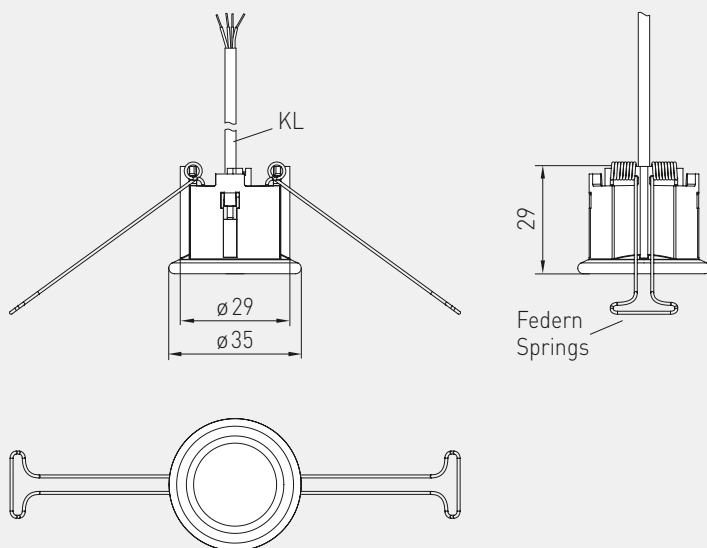


TECHNICAL DATA

Measuring range:	-20...+90 °C
Sensors / output:	see table, passive
Connection type:	4-wire connection terminal 1 / 2: + (marked red, wire colours: yellow, brown) terminal 3 / 4: - (marked black, wire colours: white, green)
Testing current:	approx. 1 mA
Connecting head:	plastic, material polycarbonate (PC), colour white, pluggable
Connecting cable:	PVC, LiYY, 4 x 0.14 mm ² , ends stripped with wire end sleeves, KL = approx. 2 m (other lengths optional)
Process connection:	inside suspended ceiling, ceiling cutout Ø = 30 mm, cover Ø = < 35 mm
Insulating resistance:	≥ 100 MΩ, at +20 °C (500V DC)
Humidity:	< 95 % r.H., non-precipitating air
Protection class:	III (according to EN 60 730)
Protection type:	IP 30 (according to EN 60 529)

Dimensional drawing

DTF





S+S REGELTECHNIK

NEW

THERMASGARD® DTF

Ceiling built-in temperature sensors
with passive output

DTF



THERMASGARD® DTF – Ceiling built-in temperature sensors

Type / WG03	Sensor / Output	Item No.	Price
DTF	Pt, Ni, LM235Z	IP30	
DTF PT100	Pt100 (according to DIN EN 60 751, class B)	1101-60C0-1003-000	34,37 €
DTF PT1000	Pt1000 (according to DIN EN 60 751, class B)	1101-60C0-5003-000	34,37 €
DTF NI1000	Ni1000 (according to DIN EN 43 760, class B, TCR = 6180 ppm / K)	1101-60C0-9003-000	34,14 €
DTF NITK	Ni1000 TK5000 (TCR = 5000 ppm / K), LG-Ni1000	1101-60C1-0003-000	37,48 €
DTF LM235Z	LM235Z (TCR = 10 mV / K; 2.73 V at 0 °C), KP10	1101-60C2-1003-000	35,16 €
DTF	NTC	IP30	
DTF NTC1,8K	NTC 1.8K	1101-60C1-2003-000	35,16 €
DTF NTC5K	NTC 5K	1101-60C1-4003-000	35,16 €
DTF NTC10K	NTC 10K	1101-60C1-5003-000	35,16 €
DTF NTC10K PRE	NTC 10K Precon	1101-60C1-9003-000	35,16 €
DTF NTC20K	NTC 20K	1101-60C1-6003-000	35,16 €
DTF	KTY	IP30	
DTF KTY81-210	KTY 81-210	1101-60C2-0003-000	35,16 €
Extra charge:	per running meter pro connection line 4-wire (PVC)		on request