

THERMASGARD® TH 08

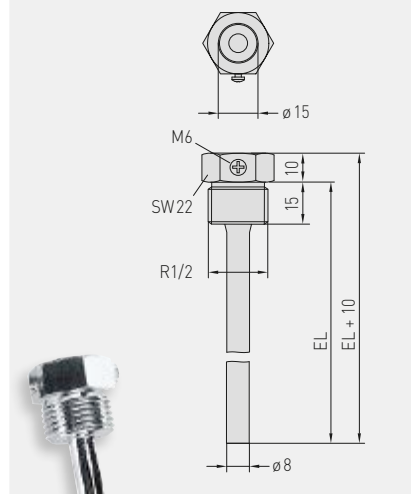
Immersion sleeves made of stainless steel or brass, nickel-plated, for temperature sensors and measuring transducers

TF 43, TF 65, TM 65, TM 65-Modbus (Tyr 1)



S+S REGELTECHNIK

Dimensional drawing TH08-ms/xx



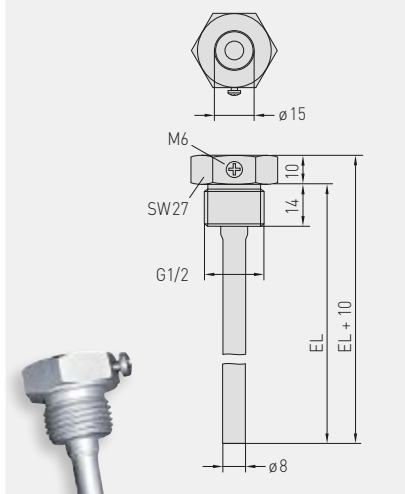
TH08-ms/xx

Immersion sleeve, nickel-plated brass

thread-sealing, conical, according to DIN 10226



Dimensional drawing TH08-VA/xx



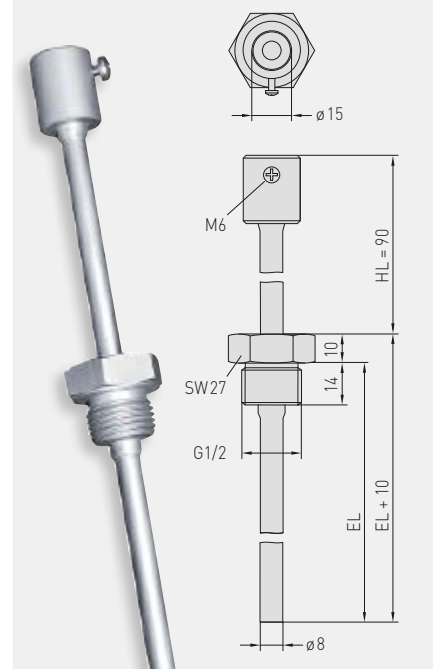
TH08-VA/xx

Immersion sleeve, stainless steel V4A (1.4571)

flat sealing, cylindrical, according to DIN 228



Dimensional drawing TH08-VA/xx/90



TH08-VA/xx/90

Immersion sleeve, stainless steel V4A (1.4571) with neck tube

flat-sealing, cylindrical, according to DIN 228



THERMASGARD® TH 08 – Immersion sleeve Ø 8 mm

Type / WG01	p _{max} (static)	T _{max}	Inserted length (EL)	Item No.	Price
TH08-<u>ms</u>/xx	Brass nickel-plated			Ø 8 x 0.75 mm	
TH08-MS 50MM	10 bar	+150 °C	50 mm	7100-0011-0010-132	7,85 €
TH08-MS 100MM	10 bar	+150 °C	100 mm	7100-0011-0020-132	8,16 €
TH08-MS 150MM	10 bar	+150 °C	150 mm	7100-0011-0030-132	9,02 €
TH08-MS 200MM	10 bar	+150 °C	200 mm	7100-0011-0040-132	9,51 €
TH08-MS 250MM	10 bar	+150 °C	250 mm	7100-0011-0050-132	9,83 €
TH08-MS 300MM	10 bar	+150 °C	300 mm	7100-0011-0060-132	11,29 €
TH08-MS 350MM	10 bar	+150 °C	350 mm	7100-0011-0070-132	13,32 €
TH08-MS 400MM	10 bar	+150 °C	400 mm	7100-0011-0080-132	11,71 €
TH08-<u>VA</u>/xx	Stainless steel V4A (1.4571)			Ø 8 x 0.75 mm	
TH08-VA 50MM	40 bar	+600 °C	50 mm	7100-0012-0010-132	14,99 €
TH08-VA 100MM	40 bar	+600 °C	100 mm	7100-0012-0020-132	15,78 €
TH08-VA 150MM	40 bar	+600 °C	150 mm	7100-0012-0030-132	16,59 €
TH08-VA 200MM	40 bar	+600 °C	200 mm	7100-0012-0040-132	17,72 €
TH08-VA 250MM	40 bar	+600 °C	250 mm	7100-0012-0050-132	18,63 €
TH08-VA 300MM	40 bar	+600 °C	300 mm	7100-0012-0060-132	23,20 €
TH08-VA 350MM	40 bar	+600 °C	350 mm	7100-0012-0070-132	23,63 €
TH08-VA 400MM	40 bar	+600 °C	400 mm	7100-0012-0080-132	24,11 €
TH08-<u>VA</u>/xx/90	Stainless steel V4A (1.4571), with neck tube (90mm)			Ø 8 x 0.75 mm	
TH08-VA 50/90MM	40 bar	+600 °C	50 mm	7100-0012-0012-132	22,56 €
TH08-VA 100/90MM	40 bar	+600 °C	100 mm	7100-0012-0022-132	23,63 €
TH08-VA 150/90MM	40 bar	+600 °C	150 mm	7100-0012-0032-132	24,85 €
TH08-VA 200/90MM	40 bar	+600 °C	200 mm	7100-0012-0042-132	26,05 €
TH08-VA 250/90MM	40 bar	+600 °C	250 mm	7100-0012-0052-132	27,33 €
TH08-VA 300/90MM	40 bar	+600 °C	300 mm	7100-0012-0062-132	29,85 €

Note: Inner diameter of socket 15.0 mm



INSTRUCTIONS FOR PLANNING AND INSTALLATION

The approaching flow causes the protective tube to vibrate.

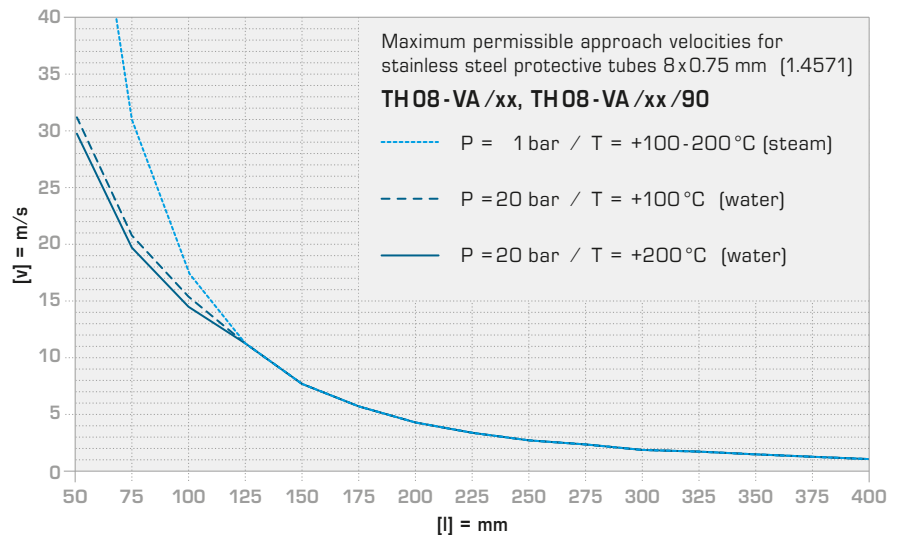
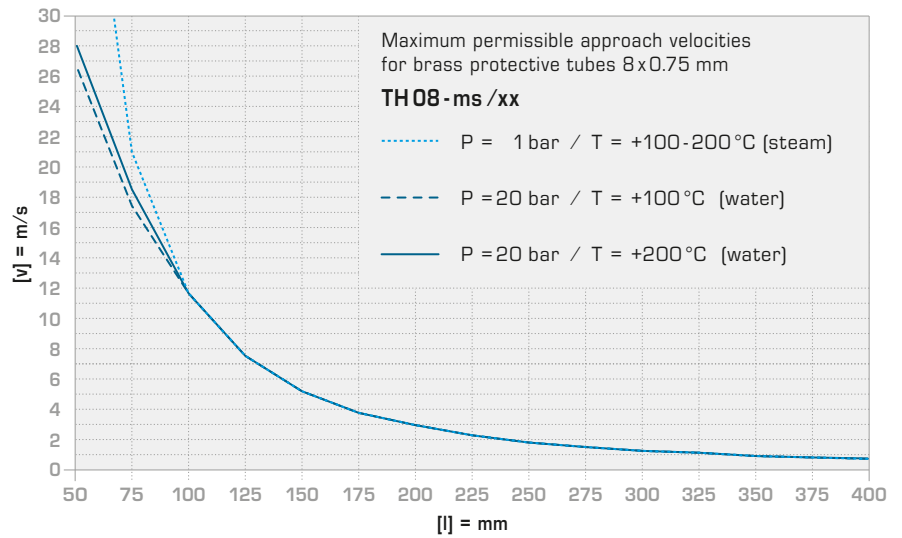
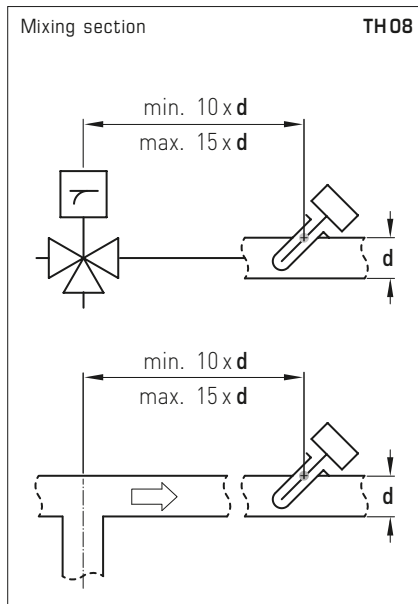
If the specified approach velocity is exceeded even by a marginal amount, a negative impact on the protective tube's service life may result (material fatigue).

Please observe permissible approach velocities for stainless steel protective tubes (see graph TH08-VA) as well as for brass protective tubes (see graph TH08-ms).

Discharge of gases and pressure surges must be avoided as they have a negative influence on the service life and may damage the protective tubes irreparably.

MIXING SECTION

After the mixing of water flows of different temperatures, the issue of temperature stratification means that an adequate distance to the sensor must be observed.



When Copper and Zinc are Not Enough

Uncompromising quality and safety are also paramount in the design of the accessory from S+S. This is why our metal immersion sleeves for duct sensors are made using either nickel plated brass or stainless steel. Brass is an alloy consisting mainly of copper and zinc, which provide good forming and machining properties, mechanical strength, temperature resistance and electrical conductivity.

In contrast to conventional products in the market, however, our brass immersion sleeves feature an additional nickel coating. This ensures their longterm corrosion resistance in minor aggressive media, from air and water to alkaline solutions and diluted acids. At the same time, the nickel layer prevents ingredients in thermally conductive compounds from stripping the copper and causing pitting.

Highest protection against corrosion is provided by immersion sleeves made of stainless steel. Among the available qualities, we chose VA 1.4571 or AISI 316 Ti, a high-grade austenite specialty combining chromium, nickel and molybdenum with an extra titanium content. The alloy has a proven fit particularly in the design of chemical process equipment and technical instruments as well as in waste gas and water treatment. Its corrosion resistance also includes chlorides or salts and more aggressive acids, such as hydrochloric acid (HCl).

