

Duct airflow monitors, including mounting flange, electronic, one-step and two-step, with active/switching output

The electronic airflow monitor **RHEASGARD® KLGf** measures the flow velocity in m / s and converts the measurement signal into a standard signal of 0 - 10V (flow measuring transducer). This flow sensor is optionally available with or without display.

KLSW-xx

RHEASREG® KLSW provided with a switching output (one-step or two-step) is designed as flow sensor / flow monitor. Fine adjustment of the upper range limit by the user is possible at a potentiometer.

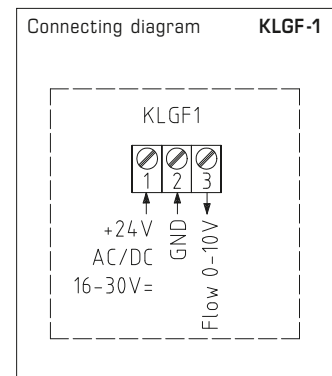
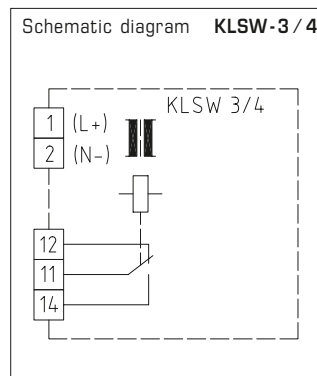
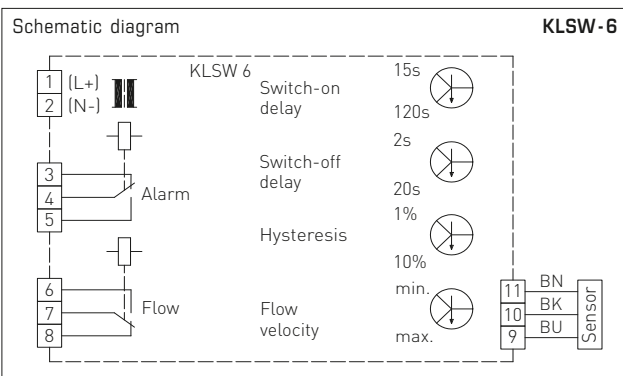
The airflow monitor / airflow sensor is used for monitoring or controlling airflows in ducts, at ventilators and dampers, for flow-dependent monitoring of humidifiers and electric heating registers according to DIN 57100, part 420, or for use in connection with DDC systems.

TECHNICAL DATA

Power supply:	24 V AC / DC or 230V AC +5 / -13%, 50...60Hz
Output:	1 or 2 potential-free relays (changeover contacts) 8A, max. 2 kW or 0 - 10V (relative, linearised on request)
Power consumption:	approx. 3VA
One-step:	
Operating range:	0.1...30 m / s (adjustable)
Sensitivity:	0.1...30 m / s
Two-step (KLSW-6):	
Operating range:	0.1...15 m / s (adjustable)
Sensitivity:	0.1...5 m / s
Switching hysteresis:	approx. 1...10% (adjustable)
Start bridging:	approx. 15...120 s (adjustable)
Switch-off delay:	approx. 2...20 s (adjustable)
Max. sensor cable length:	50 m, avoid laying parallel with mains voltage-carrying lines, or use shielded cables, minimum cross section 1.5 mm ² per conductor, apply cable screen one-sided
Ambient temperature:	0...+60°C at the device; 0...+80°C medium
Medium:	pollutant-free, non-precipitating air
Sensor:	sensor breakage protection, temperature-compensated
Enclosure:	plastic, material polyamide, 30% glass-globe-reinforced, colour traffic white (similar to RAL 9016)
KLSW-xx, KLGf-1 with display: 108 x 70 x 73.5 mm (Thor 2)	
KLGf-1 without display: 72 x 64 x 37.8 mm (Tyr 1), with quick-locking screws (slotted/ Phillips head combination)	
Cable gland:	M 16 x 1,5; including strain relief, exchangeable, max. inner diameter 10,4 mm
Protective tube:	metal (brass, nickel-plated), Ø 10 mm, nominal length NL = 140 mm
Process connection:	by mounting flange (included in the scope of delivery)
Electrical connection:	0.14 - 1.5 mm ² , via screw terminals on circuit board
Protection class:	II (according to EN 60 730) at KLSW/3 (UB = 230 V AC) III (according to EN 60 730) at UB = 24 V
Protection type:	IP 65 (according to EN 60 529)
Standards:	CE conformity, EMC directive 2014 / 30 / EU, low-voltage directive 2014 / 35 / EU



KLGf-1
with display



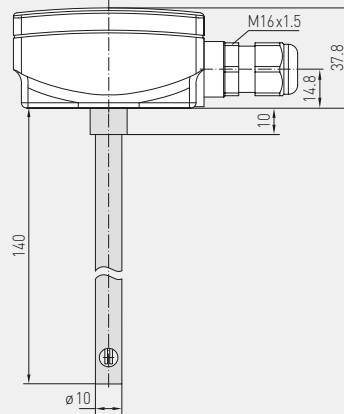
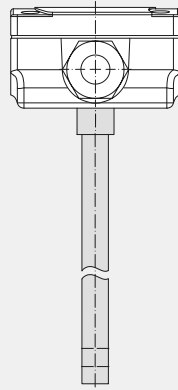
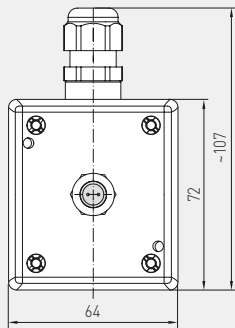


S+S REGELTECHNIK

RHEASGARD® KLGf
RHEASREG® KLSW

Duct airflow monitors, including mounting flange, electronic,
one-step and two-step, with active/switching output

Dimensional drawing

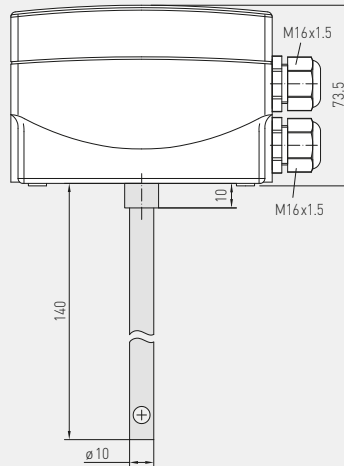
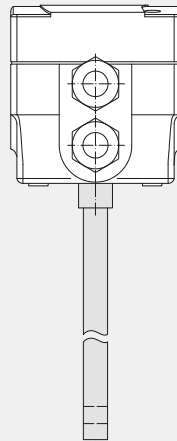
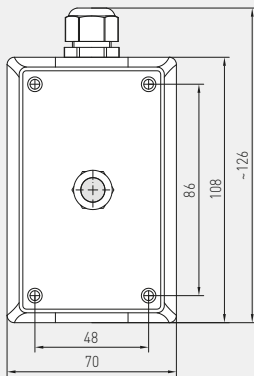


KLGf-1 without display
(compact)

KLGf-1
without display
(compact)

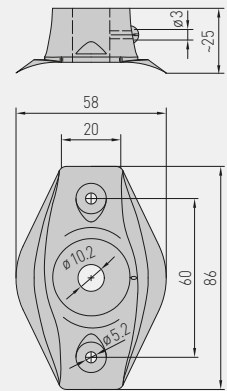


Dimensional drawing



KLSW-xx
KLGf-1 with display

Dimensional drawing



MF-10-K

RHEASGARD® KLGf – Duct airflow monitors
RHEASREG® KLSW – Duct airflow monitors, one-step and two-step

Type / WG01	Relay (Steps)	Power- Supply	Output	Display	Item No.	Price
KLGf						
KLGf 1	–	24 V AC / DC	0-10 V (relative)		1701-3120-1000-000	233,00 €
KLGf 1_Display	–	24 V AC / DC	0-10 V (linearised)	■	on request	
KLSW one-step						
KLSW 3	1	230 V AC	1 x Changeover contact		1701-3011-0001-000	172,87 €
KLSW 4	1	24 V AC / DC	1 x Changeover contact		1701-3021-0000-000	172,87 €
KLSW two-step						
KLSW 6	2	24 V AC / DC	2 x Changeover contact		1701-3022-0000-000	217,97 €
Note:	KLSW 6 is supplied as standard with a manual reset button! Automatic reset (without reset button)					on request